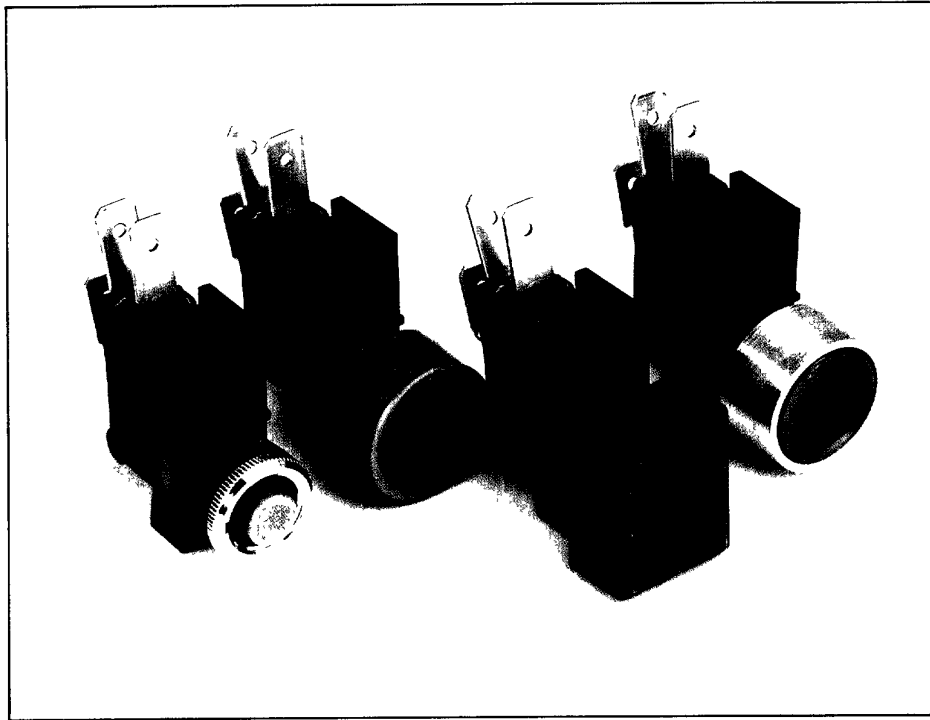


Push Button Micro Switches

242-731.



A range of approved push button microswitches tested to more than a million operations, featuring a wide choice of inexpensive button and shroud options.



Arcoelectric
INTERNATIONALLY APPROVED CONTROLS

Publication 59
February 1991



SPECIFICATION

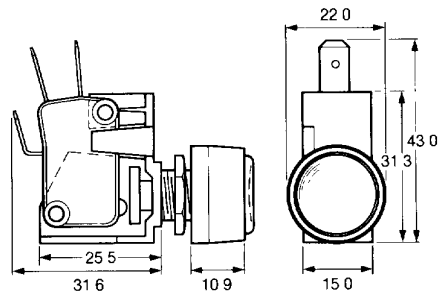
Series 0900

Properties

Contact Rating	15A 250Vac
Flame Retardancy	Switch Body UL 94 V0 Plunger V1 Bracket and button V2
Endurance	> 10 ⁶ operations (mechanical)
Contact resistance in new condition	< 10mΩ
Insulation resistance	> 1000MΩ
Dielectric strength:	
Across open contacts	> 2KV
Between live parts and accessible surfaces	> 4KV
Tracking resistance	KB375M
Humidity resistance at 91-95% relative humidity	48 Hours
Operating force (nom)	280gm
Release force (nom)	140gm
Pretravel	0.6-1.25mm
Trip point	15.25-14.1mm
Movement differential	0.25mm max

Materials

Switch body	Glass filled nylon
Current carrying parts:	
Contact Points	Fine Silver
Fixed Terminal	Brass
Common Terminal	Brass, Silver plated
Moving contact arm	Phosphor bronze
Mounting Bracket	Nylon 6.6
Button	Nylon 6.6
Rectangular bezel	Nylon 6.6
Round bezel	Aluminium or nylon 6.6
Plastic Nut	Nylon 6.6
Metal Nut	Chrome plated brass



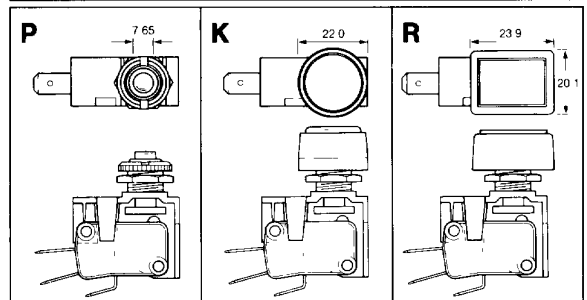
A range of approved push button microswitches with single pole, change over, momentary function.

Mounting is by simple 12.7mm (0.5 inch) threaded neck/nut fixing into panels up to 5.0mm thick, for all button and shroud combinations.

To create an ordering description

Refer to the 4 columns below, starting with "terminal code".

TERMINAL CODE	SWITCH FUNCTION CODE	BUTTON CODE*	MOUNTING BRACKET CODE
C 6.3 x 0.8	 2 position change over momentary	P Small round push	B Standard (no options)
		K Round push/shroud**	
		R Rectangular push/shroud	



* State colour of pushes and round nylon shrouds

** Specify nylon or aluminium shroud.

Example

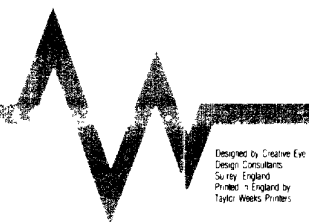
C0911 P B Red

6.3 terminals - 2 pos change over momentary switch with small round red push button.



Arcoelectric Switches plc, Central Avenue, East Molesey, Surrey, England KT8 0RF
Tel 081-979 3232 Tlx 24959 ARCMOL G Fax 081-979 2565

Downloaded from Elcodis.com electronic components distributor



Designed by Creative Eye
Design Consultants
Surrey, England
Printed in England by
Taylor & Francis Printers