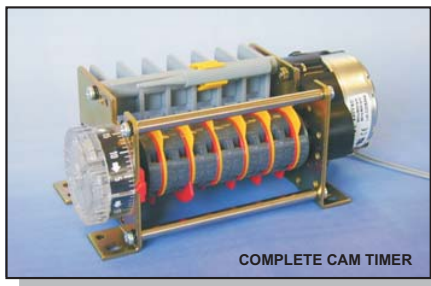
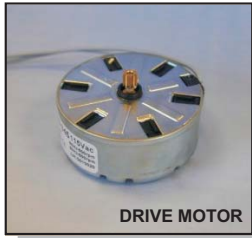
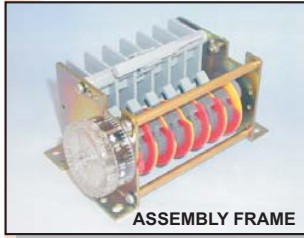


ANALOGUE TIMERS

ELECTROMECHANICAL CAM TIMERS



- Modular cam timer assembly kits
- Cycle time 3 secs to 24 hrs
- One on/off period per cycle
- 2, 4 or 6 micro switches
- 110 or 230V operation
- Screw adjustable cams (tool supplied)

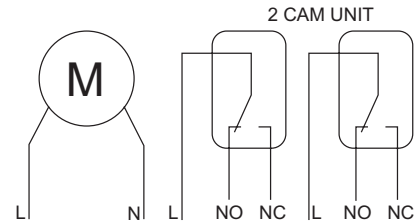
These modular cam timer kits can be used to assemble timers with 2, 4 or 6 microswitches, cycle times (one revolution) from 3 seconds to 24 hours, supplied either from 110 or 230Vac. A complete timer gives one on/off switching period per cam per cycle and will need an assembly frame, a gear kit, a gearbox housing and a motor. The gear kits are colour coded for ease of assembly. The completed timer will accept standard V3 type microswitches (not supplied).

SPECIFICATION

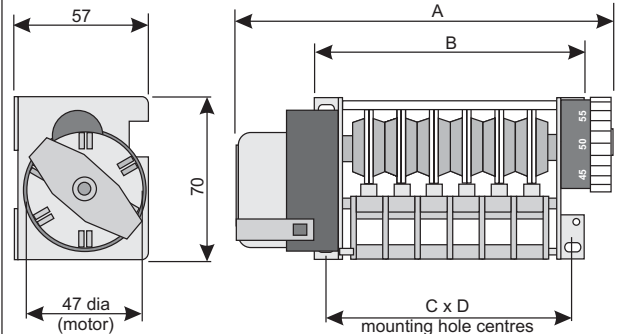
Supply voltage : 110 or 230Vac
 Supply frequency : 50Hz
 Motor speed : 500rpm
 Power consumption : 2VA
 Lead length : 220mm
 Operating temp rise : 45°C typical
 Cam diameter : 42mm
 Microswitch type : V3
 Output rating : 16A @ 250Vac
 Insulation : 2000Vac
 Standard cycle times : Seconds kit : 3, 6, 12, 30 secs
 Minutes kit : 1, 2, 3, 6, 12, 30 mins
 Hours kit : 1, 2, 3, 6, 12, 24 hours

Gearbox housing : Glass filled Nylon
 Minimum setting : 1/60 of cycle time
 Mechanical life : 8 years continuous operation
 Electrical life : 200,000 operations
 Operating temp : -10 to 55°C
 Weight (complete timer) : 2 way :350gms; 4 way : 400gms;
 6 way :450gms

CONNECTION DIAGRAM



DIMENSIONS (See table)



Fully assembled 6 cam version shown

No Cams	A	B	C	D
2	95	67	54	59
4	119	91	78	59
6	144	116	103	59

All dimensions in millimetres

STANDARD ITEMS

Description	Part Number
2 cam assembly frame	5002
4 cam assembly frame	5004
6 cam assembly frame	5006
Seconds gear kit	AM40
Minutes gear kit	AM41
Hours gear kit	AM42
Gearbox housing & clip	AM59
Drive motor 110Vac 50Hz	AM23
Drive motor 230Vac 50Hz	AM24