

Solenoids

Series 41 Small, powerful, high force/stroke ratio solenoid



GENERAL DESCRIPTION

AC & DC types

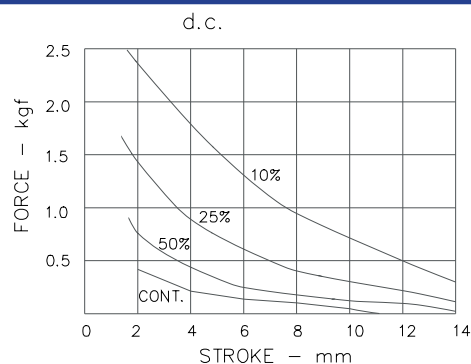
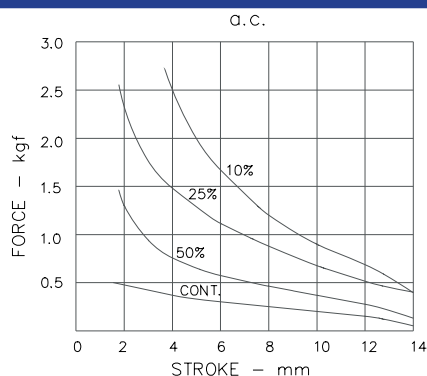
Pull & thrust versions

Shading ring for quiet AC operation

PERFORMANCE

	Item	Specification
ELECTRICAL	Maximum Ontime	See table below
	Closed power (continuous rating)	AC: 10.5VA DC: 6.5W
	Maximum permissible voltage	240V
	Insulation	All coils tested to frame at 1500V RMS 50Hz
MECHANICAL	Weight	142g Plunger: 35g
	Ambient temperature	The information given on this page is based on room temperature of 20 C allowing for a nominal 75 C temperature rise in coil.
	Force/Stroke curve	These force curves show average performance only. In addition to normal manufacturing tolerances, deviations can be expected at some voltages due to the coil winding tolerances.
	Approvals	Solenoids which are approved to the Canadian Standards Association requirements can be supplied if specified

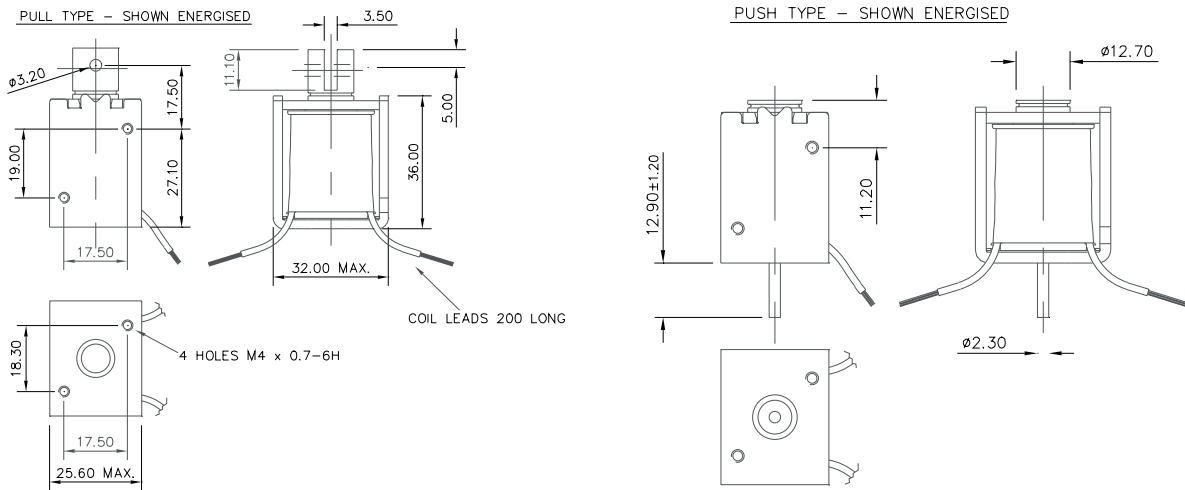
FORCE/STROKE CURVES & ON TIME



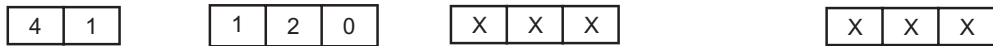
MAXIMUM ON TIME

	10%		25%		50%	
	1 cycle	Cont. cycle	1 cycle	Cont cycling	1 cycle	Cont. cycling
AC	50 sec	30 sec	2.75 min	1.7 min	8 min	6.25 min
DC	35 sec	20 sec	1.75 min	1 min	4.5 min	3.75 min

DIMENSIONS (mm)



CODING



AC	1
DC	6
Pull	1
Push	2
STANDARD	0
With Push Off Spring	1

COIL	Cont.	50%			25%		10%	
24V AC 50 Hz	01	02	03	04	05	06		
50V AC 50Hz	08	09	10	11	12	13		
115V AC 50Hz	15	16	17	18	19	20		
220V AC 50Hz	23	24	25	26	27	28		
230V AC 50Hz	39	40	41	42	43	44		
115V AC 60Hz	19	20	21	22	23	24		
220V AC 60Hz	27	28	29	30	31	32		
230V AC 60Hz	43	44	45	46	47	48		
6V DC	54	55	56	57	58	59		
9V DC	58	59	60	61	62	63		
12V DC	62	63	64	65	66	67		
24V DC	72	73	74	75	76	77		
28V DC	76	77	78	79	80	81		
36V DC	80	81	82	83	84	85		
50V DC	84	85	86	87	88	89		
115V DC	88	89	90	91	92	93		
220V DC	92	93	94	95	96	97		
240V DC	96	97	98	99				

Standard Leads	0
Faston Tags "250" Type	3



BLP products are designed, manufactured and tested to ISO 9001 quality standards.
 BLP Reserve the right to change without prior notice the information contained in this leaflet.

BLP Components Ltd., Exning Rd, Newmarket, Suffolk CB8 0AX, England
 Tel: +44 (0)1638 665161 Fax: +44 (0)1638 660718 Email: sales@blpcomp.com Website: http://www.blpcomp.com