

# MICRO SWITCH

FREEPORT ILLINOIS, U.S.A  
A DIVISION OF HONEYWELL  
FED. MFG. CODE 9 1929

# SWITCH-BASIC

CATALOG LISTING

V3-355

CK-D3400

V3-355

PAGE 1 OF 1

REPLACES X64169-V3  
RELEASE NO. PR-5787

M

DRAWING NUMBER

X 2 7

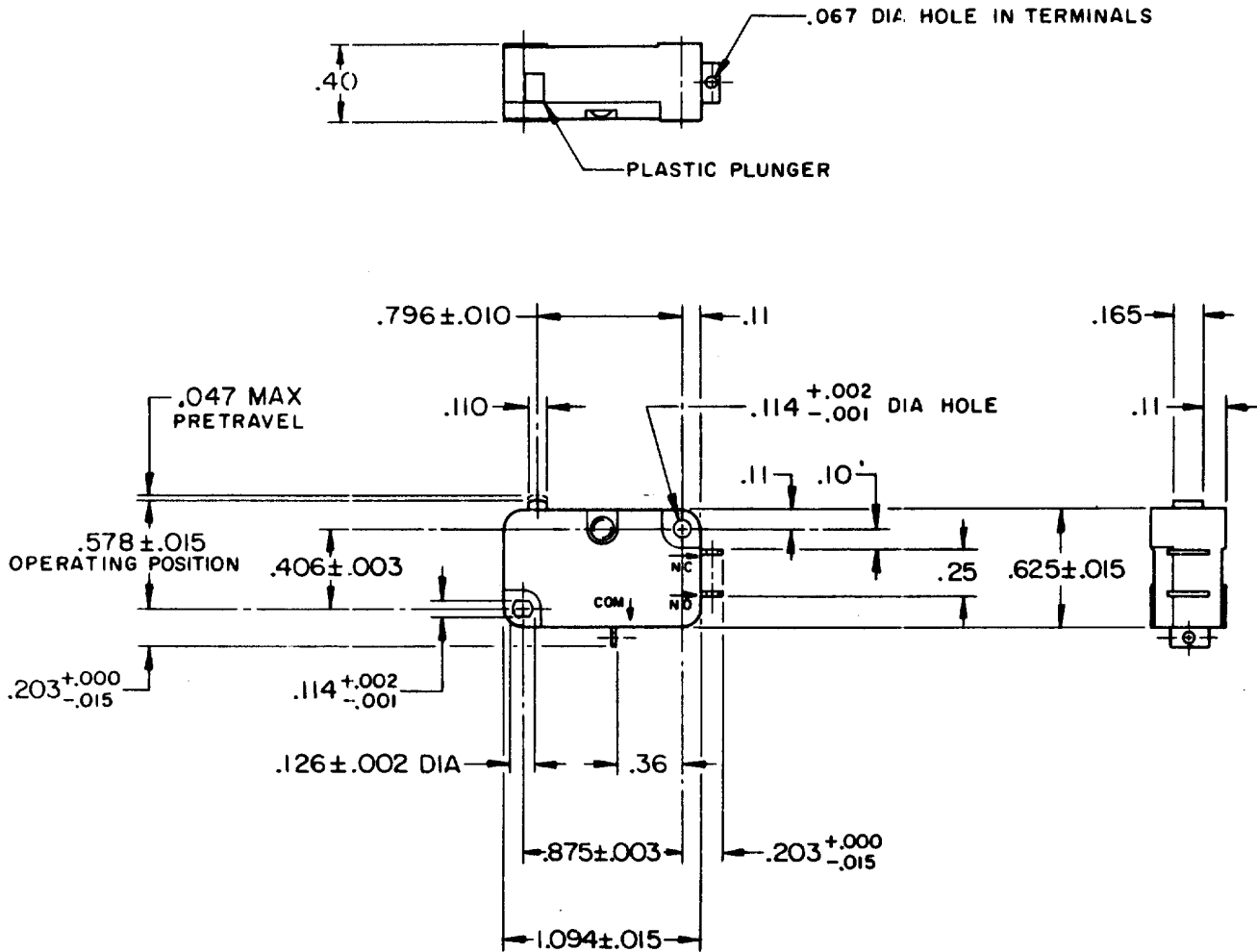
ISSUE

X 8

CHECK

REVISIONS

A	CO39182	CEB	10 FEB 78
B	CO 59921	SMA	29 SEPT 86
C	CO 73764	DHD	30 NOV 92
D	CO-74087	JWB	17 FEB 93
E	CO 77116	DCS	31 MAR 94
F	CO-93311	TSM	15 OCT 98



### NOTES

- 1 - TERMINALS ARE PLATED FOR SOLDERING
- 2 - IN INSPECTION, DO NOT BURN OUT - GOLD CONTACTS
- 3 - IN INSPECTION, DO NOT EXCEED 10 VDC, .1A RESISTIVE LOAD

THIS DRAWING COVERS A PROPRIETARY ITEM AND IS THE PROPERTY OF MICRO SWITCH, A DIVISION OF HONEYWELL. THIS DRAWING IS NOT TO BE COPIED OR USED WITHOUT THE APPROVAL OF MICRO SWITCH.

THIRD ANGLE PROJECTION

<b>CHARACTERISTICS</b>	<b>ELECTRICAL DATA</b>	<b>SCALE FULL</b>																													
		<b>DO NOT SCALE PRINT</b>																													
		<b>TOLERANCES</b> APPLY TO DESIGN UNITS. CONVERSIONS ARE ONLY FOR REFERENCE. UNLESS NOTED, TOLERANCES ARE ±																													
		<table border="1"> <thead> <tr> <th>DIM.</th> <th>TOL.</th> <th>DIM.</th> <th>TOL.</th> </tr> <tr> <th>mm</th> <th>mm/in</th> <th>in</th> <th>mm/in</th> </tr> </thead> <tbody> <tr> <td>NO PLACES</td> <td>X</td> <td>1/.04</td> <td></td> </tr> <tr> <td>ONE PLACE</td> <td>X,X</td> <td>0.4/.016</td> <td>X,X 0.8/.03</td> </tr> <tr> <td>TWO PLACES</td> <td>X,XX</td> <td>0.15/.006</td> <td>X,XX 0.38/.015</td> </tr> <tr> <td>THREE PLACES</td> <td>X,XXX</td> <td></td> <td>X,XXX 0.13/.005</td> </tr> </tbody> </table>	DIM.	TOL.	DIM.	TOL.	mm	mm/in	in	mm/in	NO PLACES	X	1/.04		ONE PLACE	X,X	0.4/.016	X,X 0.8/.03	TWO PLACES	X,XX	0.15/.006	X,XX 0.38/.015	THREE PLACES	X,XXX		X,XXX 0.13/.005	<table border="1"> <thead> <tr> <th>DESIGN UNITS</th> <th>SI METRIC</th> <th>US CUSTOMARY</th> </tr> </thead> <tbody> <tr> <td></td> <td><input type="checkbox"/></td> <td><input checked="" type="checkbox"/></td> </tr> </tbody> </table>	DESIGN UNITS	SI METRIC	US CUSTOMARY	
DIM.	TOL.	DIM.	TOL.																												
mm	mm/in	in	mm/in																												
NO PLACES	X	1/.04																													
ONE PLACE	X,X	0.4/.016	X,X 0.8/.03																												
TWO PLACES	X,XX	0.15/.006	X,XX 0.38/.015																												
THREE PLACES	X,XXX		X,XXX 0.13/.005																												
DESIGN UNITS	SI METRIC	US CUSTOMARY																													
	<input type="checkbox"/>	<input checked="" type="checkbox"/>																													
OPERATING FORCE ----- 8 OZ MAX	CONTACT ARRANGEMENT S P D T																														
RELEASE FORCE ----- 2 OZ MIN	L156 11A-1/3HP-125, 250, 277VAC 1/2A-125VDC; 1/4A-250VDC 4A-125VAC "L"																														
DIFFERENTIAL TRAVEL -----.006-.016																															
OVERTRAVEL ----- .040 MIN																															
FREE POSITION ----- .625 MAX																															
RELEASE TRAVEL ----- .007 MIN																															
		<b>WEIGHT .016 LB</b>																													

FORMTEK

DRAWN

J A L 2 APR 76 CHECK CEB 13 APRIL 76