

**MICRO SWITCH**

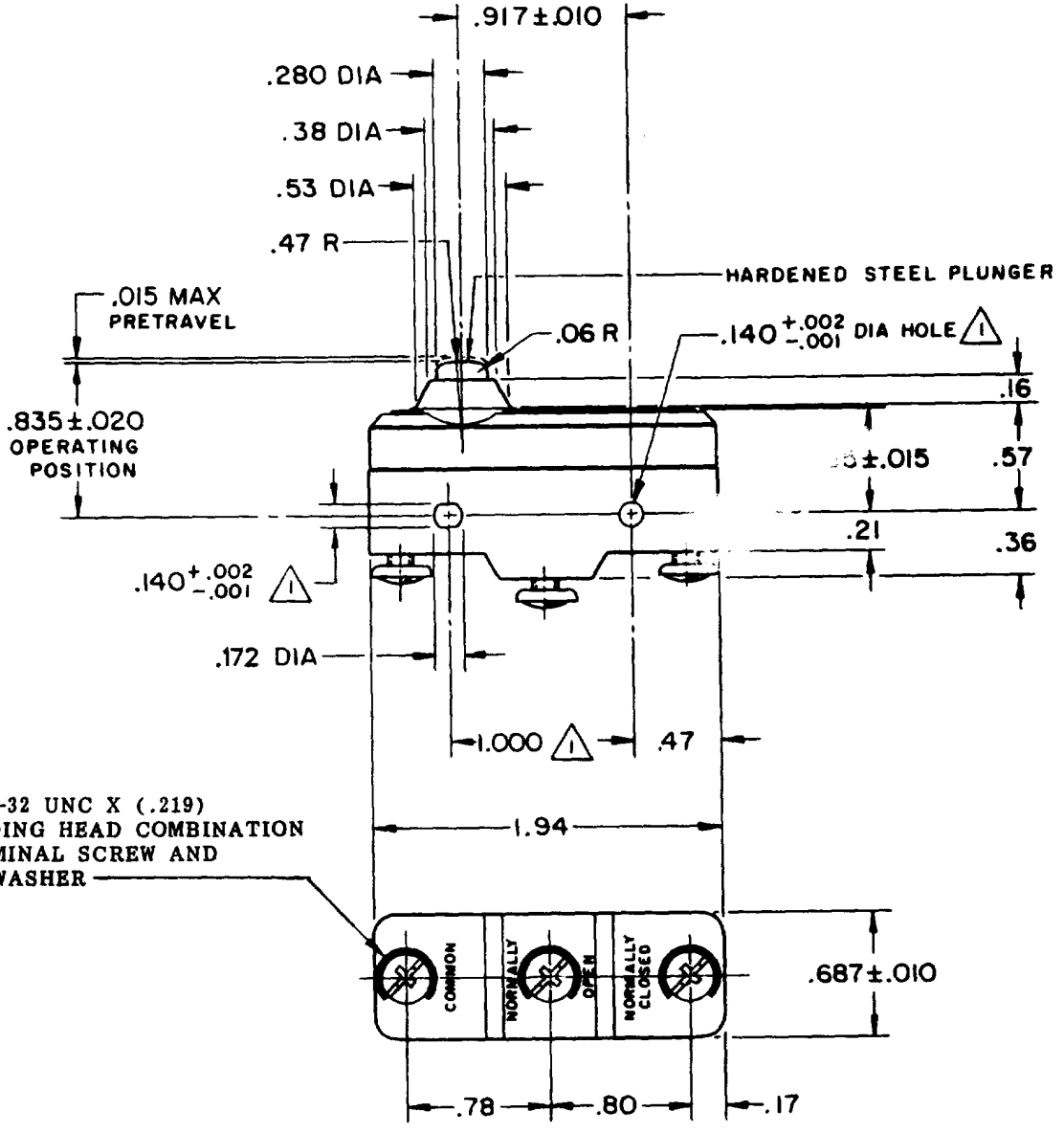
FREEPORT ILLINOIS, U.S.A  
A DIVISION OF HONEYWELL  
FED. MFG. CODE 9 1929

**SWITCH - BASIC**

CATALOG LISTING

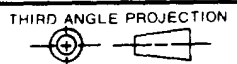
**BM-1RD33-A2**

**BM-1RD33-A2**  
 REPLACES  
 RELEASE NO. PR-4779  
 DRAWING NUMBER  
 ISSUE 4  
 REVISIONS  
 A CO-73287-J  
 JAL  
 22 NOV 93  
 B CO-77589  
 KDR  
 29 MAR 94  
 C 0035412  
 BS  
 03DEC07  
 ASD  
 CHECK 75  
 FEB 75  
 4 FEB 75  
 CHECK DJW  
 FEB 75  
 DRAWN  
 FO-52848-A



**NOTE -**  
 MOUNTING HOLES WILL ACCEPT PINS OR SCREWS OF .139 MAX DIA ON 1.000 ± .002 CENTERS

THIS DRAWING COVERS A PROPRIETARY ITEM AND IS THE PROPERTY OF MICRO SWITCH, A DIVISION OF HONEYWELL. THIS DRAWING IS NOT TO BE COPIED OR USED WITHOUT THE APPROVAL OF MICRO SWITCH.



<b>CHARACTERISTICS</b>
OPERATING FORCE - - - - - 7-10 OZ
RELEASE FORCE - - - - - 4 OZ MIN
DIFFERENTIAL TRAVEL - - .0005-.0010
OVERTRAVEL - - - - - .060 MIN

<b>ELECTRICAL DATA</b>
CONTACT ARRANGEMENT S P D T
CODE L 102 22A-125·250 OR 480 VAC 1/4HP-125 VAC; 1/2HP-250 VAC
L288 L315 L318
22A 250V ~ T85 5E4

<b>SCALE FULL</b>																				
DO NOT SCALE PRINT																				
<b>TOLERANCES</b> APPLY TO DESIGN UNITS. CONVERSIONS ARE ONLY FOR REFERENCE. UNLESS NOTED, TOLERANCES ARE ±																				
<table border="1"> <tr> <th>NO PLACES</th> <th>DIM. mm</th> <th>TOL. mm/in</th> <th>DIM. in</th> <th>TOL. mm/in</th> </tr> <tr> <td>ONE PLACE</td> <td>X</td> <td>1/64</td> <td>X.X</td> <td>0.07/03</td> </tr> <tr> <td>TWO PLACES</td> <td>X.X</td> <td>0.01/010</td> <td>X.XX</td> <td>0.38/016</td> </tr> <tr> <td>THREE PLACES</td> <td>X.XX</td> <td>0.001/0008</td> <td>X.XXX</td> <td>0.15/006</td> </tr> </table>	NO PLACES	DIM. mm	TOL. mm/in	DIM. in	TOL. mm/in	ONE PLACE	X	1/64	X.X	0.07/03	TWO PLACES	X.X	0.01/010	X.XX	0.38/016	THREE PLACES	X.XX	0.001/0008	X.XXX	0.15/006
NO PLACES	DIM. mm	TOL. mm/in	DIM. in	TOL. mm/in																
ONE PLACE	X	1/64	X.X	0.07/03																
TWO PLACES	X.X	0.01/010	X.XX	0.38/016																
THREE PLACES	X.XX	0.001/0008	X.XXX	0.15/006																
DESIGN UNITS																				
<table border="1"> <tr> <td>SIMETRIC</td> <td><input type="checkbox"/></td> </tr> <tr> <td>US CUSTOMARY</td> <td><input checked="" type="checkbox"/></td> </tr> </table>	SIMETRIC	<input type="checkbox"/>	US CUSTOMARY	<input checked="" type="checkbox"/>																
SIMETRIC	<input type="checkbox"/>																			
US CUSTOMARY	<input checked="" type="checkbox"/>																			
WEIGHT .064 LB																				