

MICRO SWITCH

A DIVISION OF MINNEAPOLIS-HONEYWELL REGULATORS COMPANY
MINNEAPOLIS, MINNESOTA

FED. MFR CODE 91929

SWITCH - BASIC

CATALOG LISTING

BA-2RV241-A2

ABS3000

JG18906

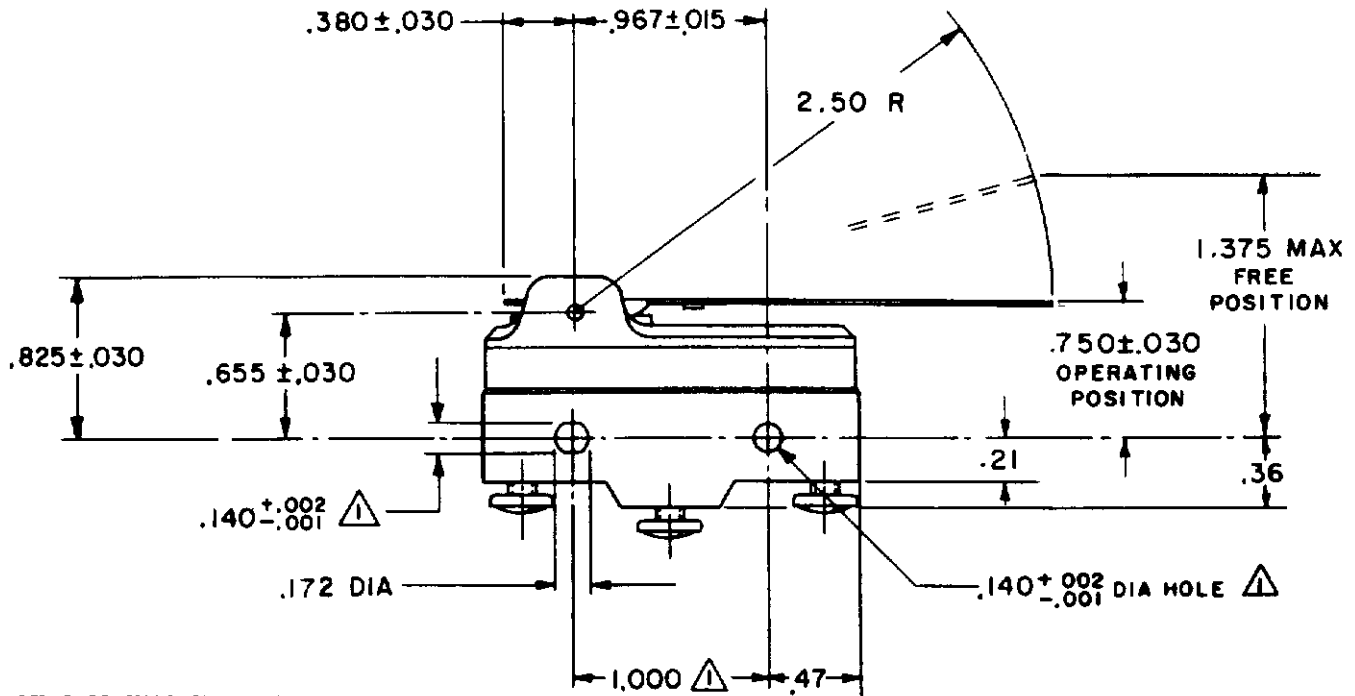
M BA-2RV241-A2

PAGE 1 OF 1

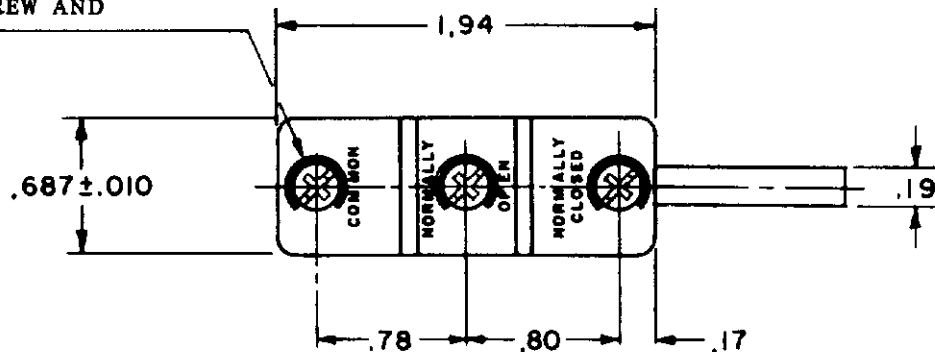
DRAWING NUMBER

ISSUE 10

REPLACES CMH 04 SEP 09 CHECK PSR 29 MAY 07 CHECK DAW 16 JULY 62 CHECK MBF 10 MAY 62



3X 6-32 UNC X (.219)
BINDING HEAD COMBINATION
TERMINAL SCREW AND
CUPWASHER



NOTE -

▲ - MOUNTING HOLES WILL ACCEPT PINS OR SCREWS OF .139 MAX DIA ON 1.000 ± .002 CENTERS

2 - SWITCH WILL WITHSTAND TEMPERATURE OF 250° F

THIS DRAWING COVERS A PROPRIETARY ITEM AND IS THE PROPERTY OF MICRO SWITCH, A DIVISION OF MINNEAPOLIS-HONEYWELL REGULATOR CO. THIS DRAWING IS NOT TO BE COPIED OR USED WITHOUT THE APPROVAL OF MICRO SWITCH.

CHARACTERISTICS

OPERATING FORCE--- 2 1/2 OZ MAX
 RELEASE FORCE----- 1/2 OZ MIN
 PRETRAVEL----- .625 MAX
 DIFFERENTIAL TRAVEL--- .109 MAX
 OVERTRAVEL----- .078 MIN

ELECTRICAL DATA

CONTACT ARRANGEMENT
S P D T

20A-125, 250 OR 480 VAC, 10A-125 VAC "L"
 1HP-125 VAC, 2HP-250 VAC
 CODE L23 B 1/2A-125 VDC, 1/4A-250 VDC
 L288
 L315
 L308



SCALE FULL

DO NOT SCALE PRINT

UNLESS OTHERWISE SPECIFIED
 DIMENSIONS ARE IN INCHES
TOLERANCES ARE:

ONE PLACE	(0)	±.030
TWO PLACE	(.00)	±.018
THREE PLACE	(.000)	±.008
ANGLES		±

WEIGHT

RASTER

0-80378

DRAWN