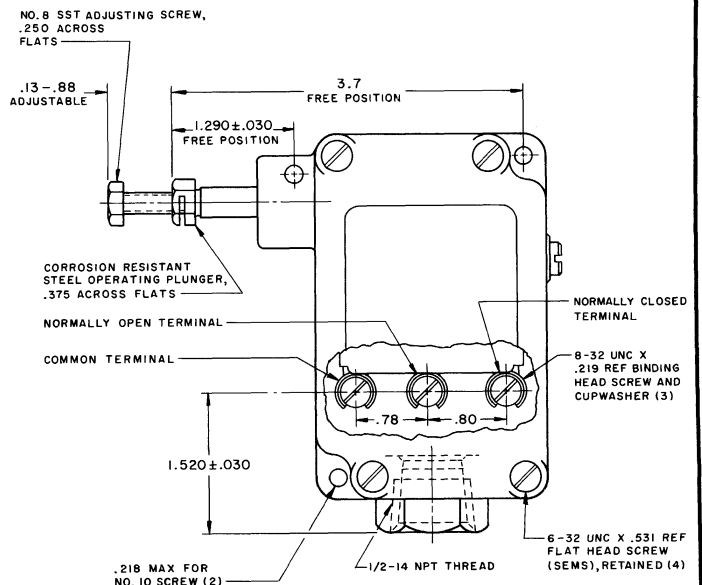
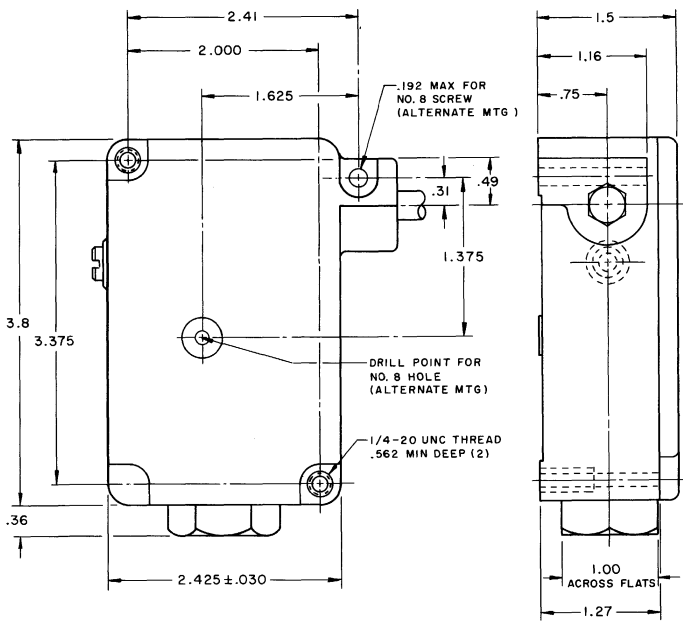


MICRO SWITCH
 FREEPORT, ILLINOIS, U.S.A.
 A DIVISION OF HONEYWELL
 FED. MFG. CODE 91928

**PULSE SWITCH
 (ADJUSTABLE)**

CATALOG LISTING
1PD1

FORMTEK DRAWN
 G.M.W. 25 JUL 66
 CHECKED
 L.S.D. 26 JULY 66
 REVISIONS
 A E021632 25 JUL 66
 B K006028 25 JUL 66
 C E0458678 7 JUL 79
 D C0828318 19 FEB 87
 ISSUE 9
 DRAWING NUMBER 1PD1
 REPLACES
 RELEASE NO.



THIS DRAWING COVERS A PROPRIETARY ITEM AND IS THE PROPERTY OF MICRO SWITCH, A DIVISION OF MINNEAPOLIS-HONEYWELL REGULATOR CO. THIS DRAWING IS NOT TO BE COPIED OR USED WITHOUT THE APPROVAL OF MICRO SWITCH.

| CHARACTERISTICS | ELECTRICAL DATA | SCALE FULL |
|--|--------------------------------|--------------------------|
| OPERATING FORCE ----- 3 1/2 LB MAX | CONTACT ARRANGEMENT S P D T | DO NOT SCALE PRINT |
| PRETRAVEL ----- .110 MAX | | UNLESS OTHERWISE NOTED |
| PULSE POSITION --- ADJUSTABLE FROM .030 - .450 BEYOND OPERATING POSITION | 15 A-125, 250 OR 480 VAC | DIMENSIONS ARE IN INCHES |
| FORCE AT PULSE POSITION ----- 6 LB MAX | 1/2 A-125 VDC; 1/4 A-250 VDC | TOLERANCES ARE: |
| SWITCH-BASIC REPLACEMENT - BZ-2RD776-P4 | 1/8 HP-125 VAC; 1/4 HP-250 VAC | ONE PLACE (.01) ±.030 |
| | | TWO PLACE (.001) ±.015 |
| | | THREE PLACE (.000) ±.008 |
| | | ANGLES ± |
| | | WEIGHT |

NOTES
 1 - ALUMINUM HOUSING AND COVER FINISHED IN GRAY PAINT
 2 - IT IS ESSENTIAL TO PREVENT ENTRANCE OF HARMFUL AGENTS THRU THE CONDUIT OPENING TO OBTAIN THE FULL BENEFIT OF THE SEALED CONSTRUCTION PROVIDED IN THIS UNIT