

MICRO SWITCH

FREERPORT ILLINOIS, U.S.A
A DIVISION OF HONEYWELL
FED. MFG. CODE 91929

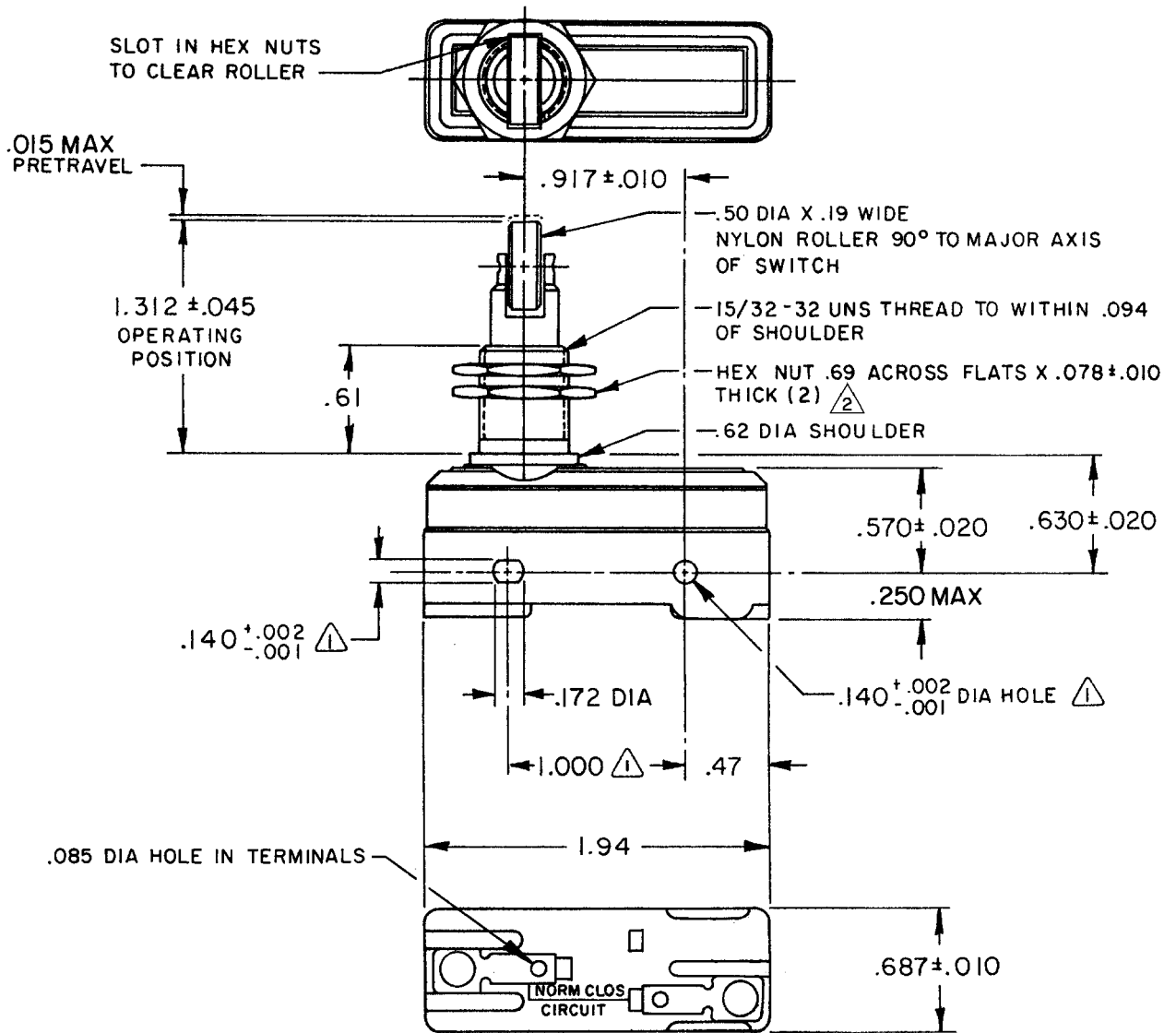
SWITCH-BASIC

CATALOG LISTING

WZ-2RQ1846

ATP2000

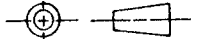
WZ-2RQ1846
 PAGE 1 OF 1
 M
 DRAWING NUMBER
 5
 ISSUE
 REVISIONS
 A CO-77592 DAW 15 AUG 94
 B CO-82133 CSL 2 AUG 96
 C CO93346 DLT 21 SEP 98
 D 0017585 LKM 20 FEB 06
 TSK 21 AUG 86 CHECK KAG 20 AUG 86
 FORMTEK FO-52848-A DRAWN
 RELEASE NO. PR-15008
 REPLACES X85323-WZ



- NOTES
- $\triangle 1$ MOUNTING HOLES WILL ACCEPT PINS OR SCREWS OF .139 MAX DIA ON 1.000 ±.002 CENTERS
 - $\triangle 2$ HARDWARE FURNISHED UNASSEMBLED

THIS DRAWING COVERS A PROPRIETARY ITEM AND IS THE PROPERTY OF MICRO SWITCH, A DIVISION OF HONEYWELL. THIS DRAWING IS NOT TO BE COPIED OR USED WITHOUT THE APPROVAL OF MICRO SWITCH.

THIRD ANGLE PROJECTION



CHARACTERISTICS

OPERATING FORCE ----- 9-13 OZ
 RELEASE FORCE ----- 4 OZ MIN
 DIFFERENTIAL TRAVEL -- .0004-.0020
 OVERTRAVEL ----- .141 MIN

ELECTRICAL DATA

CONTACT ARRANGEMENT
 S P N C
 L96 15A 125, 250 OR 480 VAC
 1/8 HP 125 VAC, 1/4 HP 250 VAC
 1/2A 125 VDC, 1/4A 250 VDC

L288
L315
L306



16A 250V ~ T85 5E4

SCALE FULL

DO NOT SCALE PRINT

TOLERANCES
APPLY TO DESIGN UNITS. CONVERSIONS ARE ONLY FOR REFERENCE. UNLESS NOTED, TOLERANCES ARE \pm

	DIM. mm	TOL. mm/in	DIM. in	TOL. mm/in
NO PLACES	X	1/04		
ONE PLACE	X,X	0.4/016	X,X	0.8/03
TWO PLACES	X,XX	0.15/006	X,XX	0.38/015
THREE PLACES	X,XXX		X,XXX	0.13/005

DESIGN UNITS SI METRIC US CUSTOMARY

WEIGHT .107 LB