

# MICRO SWITCH

FREEPORT ILLINOIS, U.S.A  
A DIVISION OF HONEYWELL  
FED. MFG. CODE 91929

## SWITCH - BASIC

CATALOG LISTING

BZ-2RW84441-A2

APY0281

BZ-2RW84441-A2

PAGE 1 OF 1

RELEASE NO. PR-11928 REPLACES X75800-BZ

M

DRAWING NUMBER

5

ISSUE

REVISIONS

A	CO-73287-J	JAT	22 NOV 93
B	CC-77589	TSM	29 MAR 94
C	C093346	DLT	17 SEP 98
D	0017579	KRB	08DEC05

CHECK 08DEC05

RJ

17 FEB 83

83

17 FEB 83

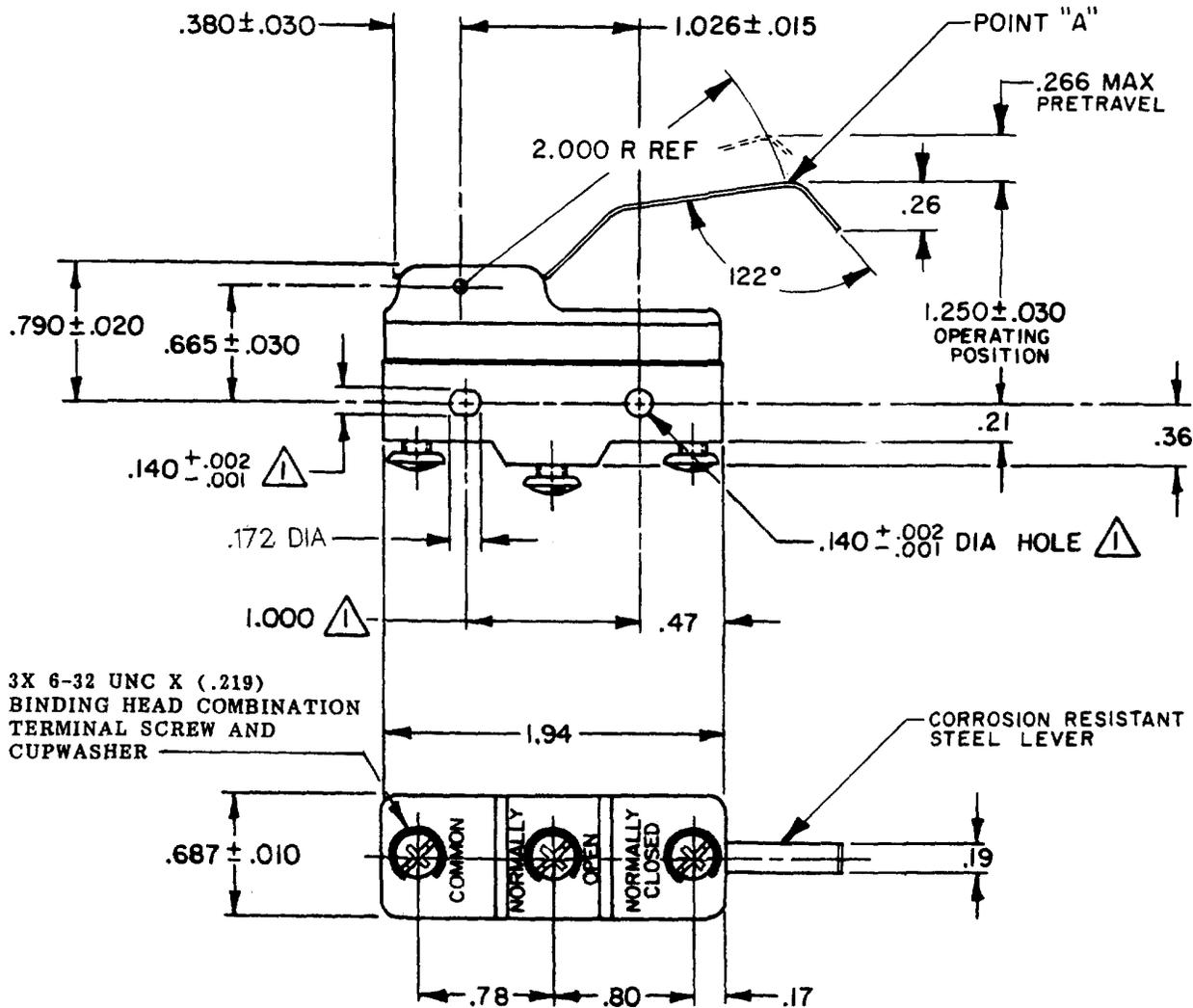
83

17 FEB 83

83

17 FEB 83

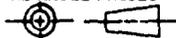
83



NOTE  
 MOUNTING HOLES WILL ACCEPT PINS OR SCREWS OF .139 MAX DIA ON 1.000 ± .002 CENTERS

THIS DRAWING COVERS A PROPRIETARY ITEM AND IS THE PROPERTY OF MICRO SWITCH, A DIVISION OF HONEYWELL. THIS DRAWING IS NOT TO BE COPIED OR USED WITHOUT THE APPROVAL OF MICRO SWITCH.

THIRD ANGLE PROJECTION



CHARACTERISTICS AT POINT "A"

OPERATING FORCE ----- 1 1/4 OZ MAX  
 RELEASE FORCE ----- 1/8 OZ MIN  
 DIFFERENTIAL TRAVEL --- .005-.040  
 OVERTRAVEL ----- .172 MIN

ELECTRICAL DATA

CONTACT ARRANGEMENT  
 S P D T

CODE L96 15A-125, 250 OR 480 VAC  
 1/8 HP-125 VAC; 1/4 HP-250 VAC  
 1/2 A-125 VDC; 1/4 A-250 VDC

L288  
 L315  
 L306



16A 250V ~ T85 5E4

SCALE FULL

DO NOT SCALE PRINT

TOLERANCES

APPLY TO DIMEN UNITS. CONVERSIONS ARE ONLY FOR REFERENCE. UNLESS NOTED, TOLERANCES ARE ±

	DIM.	TOL.	DIM.	TOL.
	mm	mm/mil	in	mm/mil
NO PLACES	2	1/64	2	0.001
ONE PLACE	2, 3	0.0010	2, 3	0.0005
TWO PLACES	2, 3	0.0005	2, 3	0.00025
THREE PLACES	2, 3	0.00025	2, 3	0.000125

DESIGN UNITS  METRIC  US CUSTOMARY

WEIGHT .073 LB

FORMTEK

FO-52849-A

DRAWN

C E B 17 FEB 83

83

17 FEB 83

83