

MICRO SWITCH

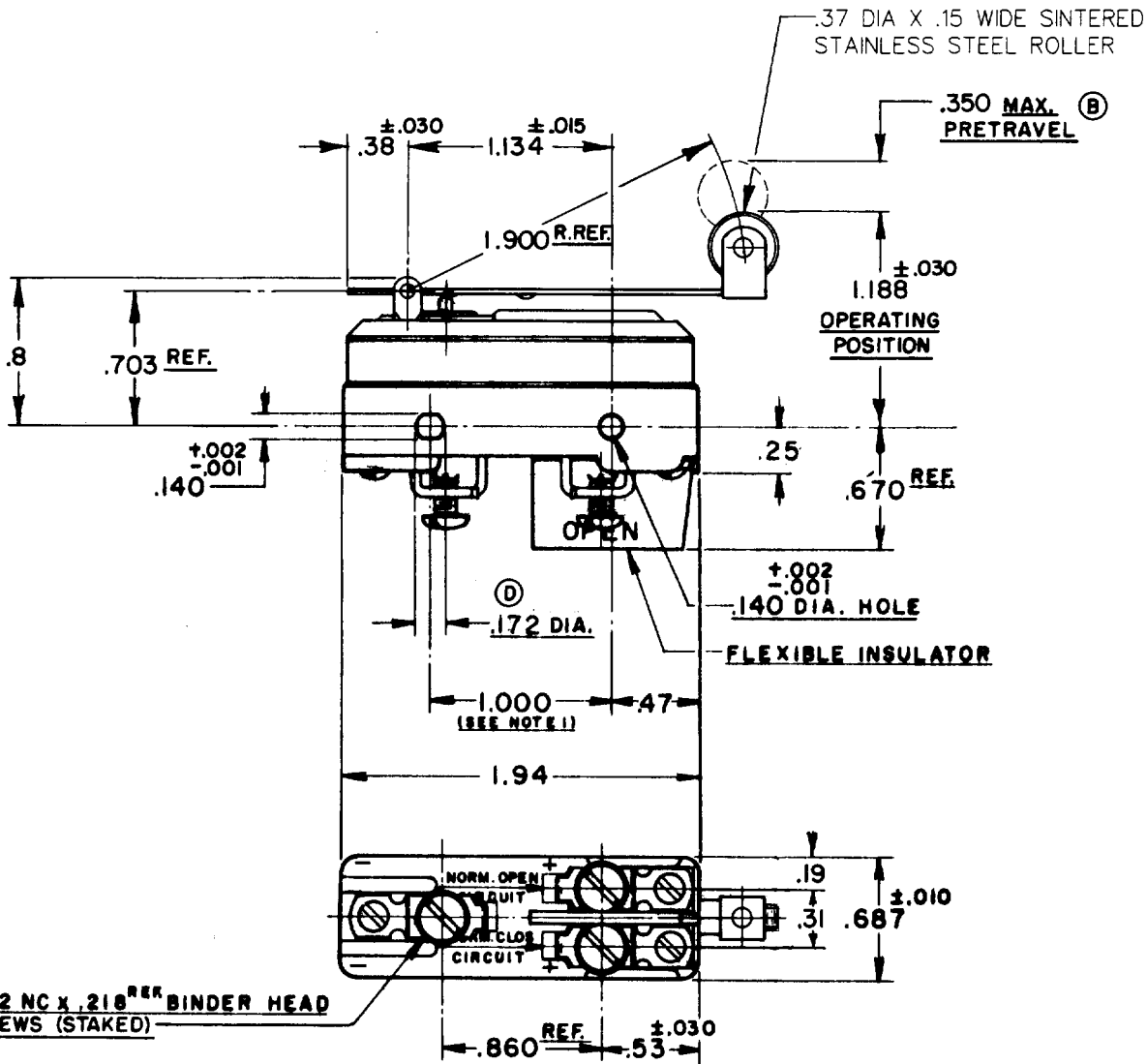
A DIVISION OF MINNEAPOLIS-HONEYWELL REGULATOR COMPANY
 PROSPER, ILLINOIS
 FED. MFR. CODE 91929

SWITCH—BASIC

CATALOG LISTING
MT-4RV2-A28

5

REVISIONS
 A CORR. R. G. C. 21 OCT. 55
 B C.O. 11613 N.H.L. 1 AUG. '57
 C CO12368 R.L.B. 11 DEC. 57
 D CO13960 M.B.F. 23 OCT 23
 E CO35255 D.B.W. 12 MAY 75
 F CO46819 W.J.M. 26 NOV 79
 G CO-75204-B S.A.V. 1 FEB 94
 H A P. 29 JULY '55
 CHECK G.C.H. 9 AUG. 55
 DRAWN 74-56
 H A P. 29 JULY '55
 CHECK G.C.H. 9 AUG. 55
 REPLACES
 MT-4RV2-A28
 DRAWING NUMBER
 X 8
 ISSUE
 X 8
 RELEASE NO. SR 4650
 4 AUG. 55
 CHECK (M)



NOTE-

- MOUNTING HOLES WILL ACCEPT PINS OR SCREWS OF .139 MAX. DIA. ON 1.000^{±.002} CENTERS
- FOR BEST RESULTS EITHER POLARIZE THE SWITCH WITH THE COMMON TERMINAL WIRED IN NEGATIVE POLARITY OR MOUNT THE SWITCH WITH BRASS SCREWS AND SPACE AT LEAST .250 AWAY FROM MAGNETIC MATERIALS.

THIS DRAWING COVERS A PROPRIETARY ITEM AND IS THE PROPERTY OF MICRO SWITCH, A DIVISION OF HONEYWELL. THIS DRAWING IS NOT TO BE COPIED OR USED WITHOUT THE APPROVAL OF MICRO SWITCH.

CHARACTERISTICS	ELECTRICAL DATA	SCALE FULL
OPERATING FORCE-----2 3/4 OZ. MAX. (A)	CONTACT ARRANGEMENT S. P. D. T.	DO NOT SCALE PRINT
RELEASE FORCE-----1/4 OZ. MIN. (A)	NON-POLARIZED	UNLESS OTHERWISE SPECIFIED
DIFFERENTIAL TRAVEL-----.065 MAX.	VOLTS D-C 125 MOTOR 1/4 HP + RESISTIVE 10 AMPS 1.5 TO 3.0*	DIMENSIONS ARE IN INCHES
OVERTRAVEL-----.031 MIN.	POLARIZED OR NON-MAGNETICALLY MOUNTED	TOLERANCES ARE:
	VOLTS D-C 125 MOTOR 1/2 HP + RESISTIVE 10 AMPS 1.5 TO 3.0*	ONE PLACE (.0) ±.030
	* NOT SUITABLE FOR USE AT LESS THAN 1.5 AMPS + WILL NOT BREAK LOCKED ROTOR CURRENT	TWO PLACE (.00) ±.015
		THREE PLACE (.000) ±.005
		ANGLES ±
	UND. LAB. INC. LISTED RATING (NON-POLARIZED) (C)	WEIGHT
	-1169- 10 A-125 VDC OR AC; 1/4 HP-125 VDC OR AC	