



MICRO SWITCH

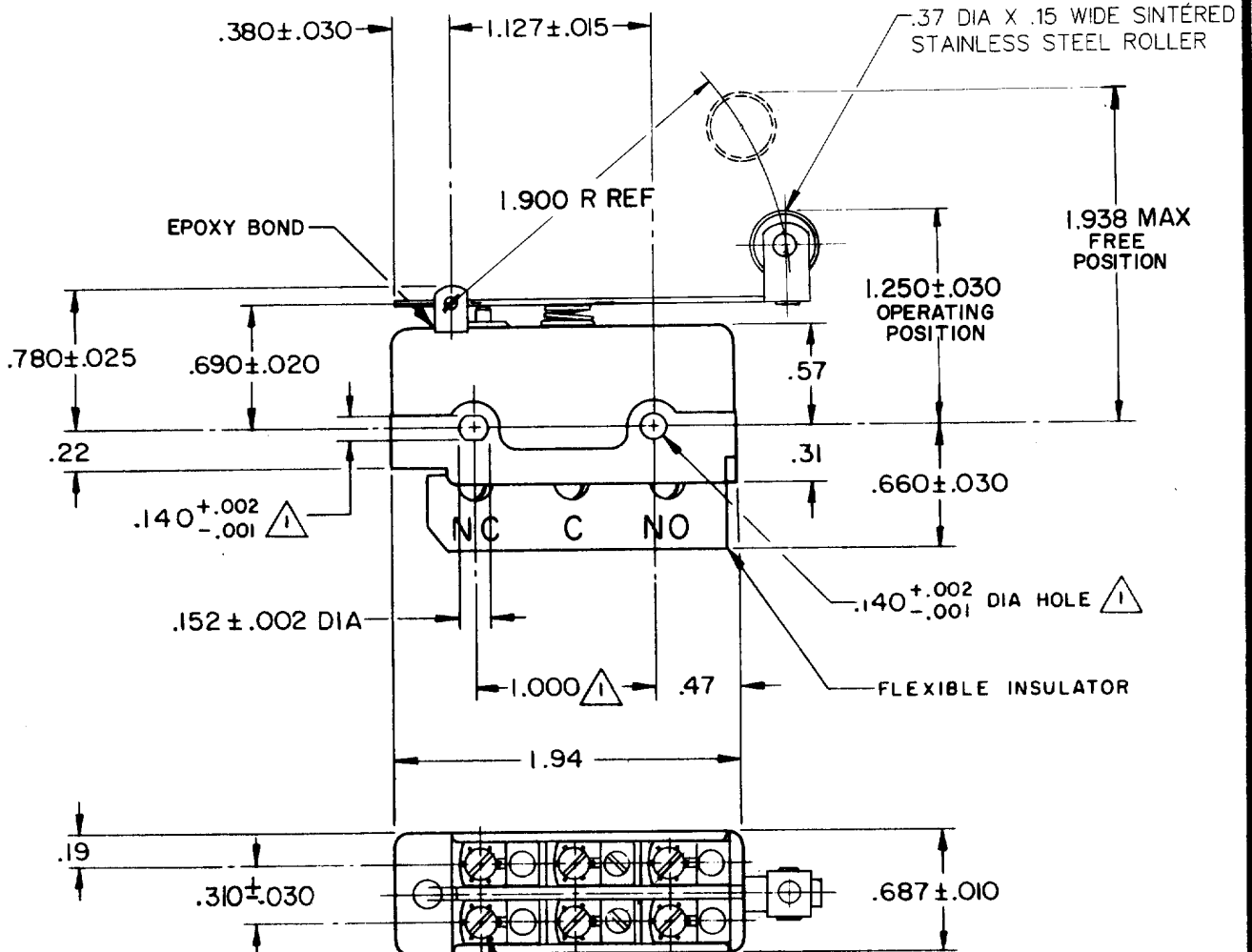
FREEPORT, ILLINOIS, U.S.A.
A DIVISION OF HONEYWELL

FED. MFG. CODE 91929


SWITCH-BASIC

CATALOG LISTING

DT-2RV2-A7



③ 4-40 UNC X .125 REF ROUND HEAD SCREW AND LOCKWASHER (6)

NOTE -
 MOUNTING HOLES WILL ACCEPT PINS OR SCREWS OF .139 MAX DIA ON $1.000 \pm .002$ CENTERS

THIS DRAWING COVERS A PROPRIETARY ITEM AND IS THE PROPERTY OF MICRO SWITCH, A DIVISION OF MINNEAPOLIS-HONEYWELL REGULATOR CO. THIS DRAWING IS NOT TO BE COPIED OR USED WITHOUT THE APPROVAL OF MICRO SWITCH.

CHARACTERISTICS

OPERATING FORCE ----- $4 \frac{1}{2}$ - $7 \frac{1}{2}$ OZ
 RELEASE FORCE ----- $1 \frac{1}{2}$ OZ MIN
 DIFFERENTIAL TRAVEL ----- .365 .565
 OVERTRAVEL ----- .047 MIN

ELECTRICAL DATA

CONTACT ARRANGEMENT
D P D T

UL LISTED-FILE E12252
 CODE L59
 10A-125 OR 250 VAC
 0.3A-125 VDC; 0.15A-250 VDC



SCALE FULL

DO NOT SCALE PRINT
 UNLESS OTHERWISE NOTED
 DIMENSIONS ARE IN INCHES
TOLERANCES ARE:
 ONE PLACE (.0) $\pm .030$
 TWO PLACE (.00) $\pm .015$
 THREE PLACE (.000) $\pm .005$
 ANGLES \pm

WEIGHT 085 LB

DT-2RV2-A7

M

DRAWING NUMBER

14

ISSUE

10

REPLACES

RELEASE NO.

CHECK

CHECK

CHECK

CHECK

CHECK

CHECK

CHECK

CHECK

CHECK

REVISIONS

A	CO17725	LEB	10 JUNE 63
B	CO17725	LEB	28 AUG 63
C	CO24941	MBS	2 DEC 68
D	CO28075	MBS	26 AUG 69
E	CO37528	CJH	31 AUG 76
F	CO38280	YSK	17 JUL 87
G	CO61634	SAV	1 FEB 94

FO-90376

DRAWN

L E B 10 JUNE 63