

# MICRO SWITCH

A DIVISION OF MINNEAPOLIS-HONEYWELL REGULATOR COMPANY  
 FREDPORT, ILLINOIS  
 FED. MFR. CODE 91929

## SWITCH - BASIC

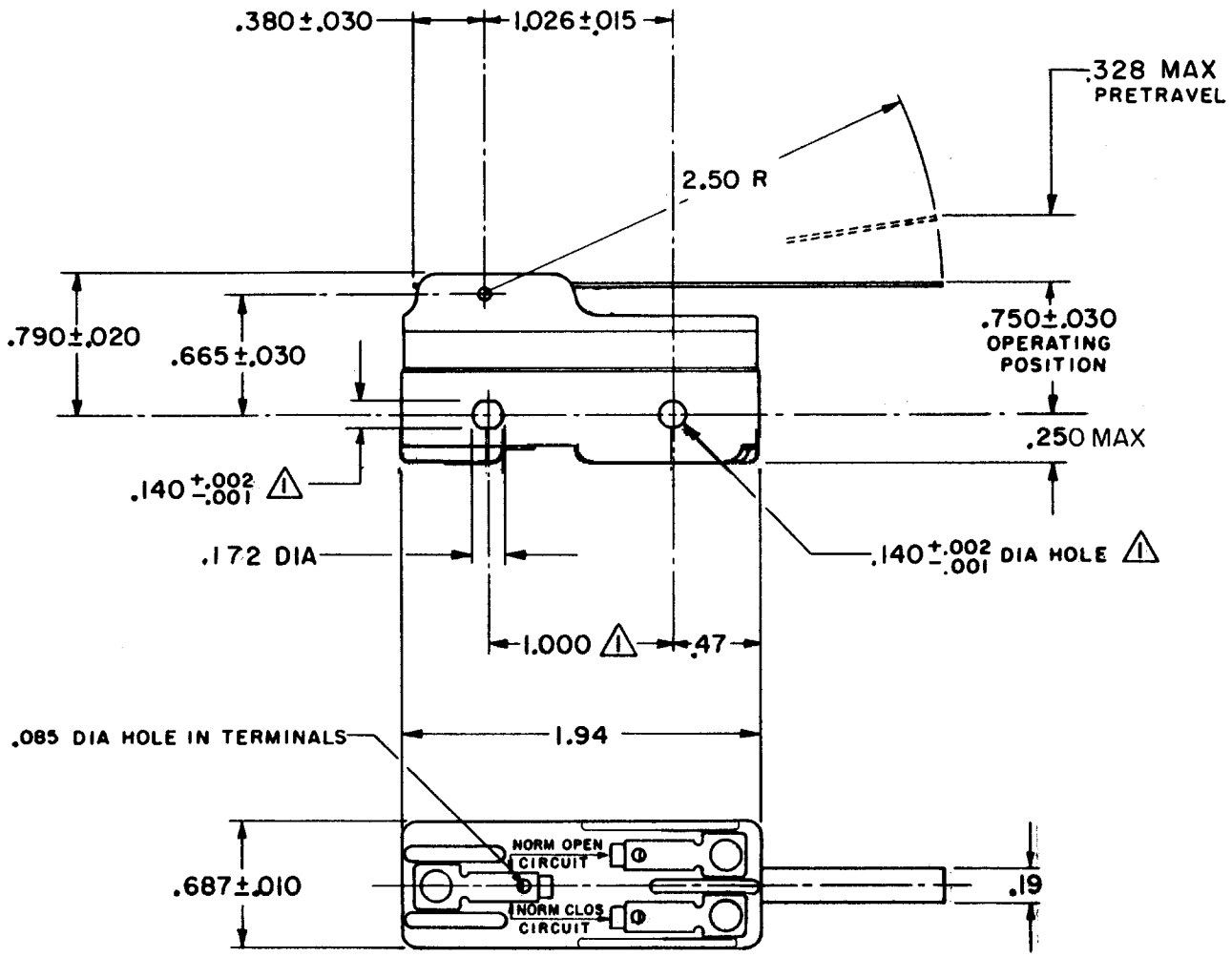
CATALOG LISTING  
**BZ - 2RW84**

DRAWING NUMBER  
**BZ-2RW84**  
 PAGE 1 OF 1

ISSUE  
**M**  
 9

REVISIONS

A	CO	16736	GCH	17 MAY 62
B	CO	34306	KPK	4 JUN 75
C	CO	046304	JAP	13 OCT 79
D	CO	58037	SMA	1 OCT 85
E	CO	78874	DLT	18 NOV 94
F	CO	093346	DLT	11 SEP 98
G	CO	94212-J	JJA	5 OCT 99



NOTE  
 MOUNTING HOLES WILL ACCEPT PINS OR SCREWS  
 OF .139 MAX DIA ON 1.000 ± .002 CENTERS.

THIS DRAWING COVERS A PROPRIETARY ITEM AND IS THE PROPERTY OF MICRO SWITCH, A DIVISION OF MINNEAPOLIS-HONEYWELL REGULATOR CO. THIS DRAWING IS NOT TO BE COPIED OR USED WITHOUT THE APPROVAL OF MICRO SWITCH.

CHARACTERISTICS	
OPERATING FORCE	----- 1 OZ MAX
RELEASE FORCE	----- 1/8 OZ MIN
DIFFERENTIAL TRAVEL	----- .007 - .050
OVERTRAVEL	----- .219 MIN

ELECTRICAL DATA	
CONTACT ARRANGEMENT S P D T	
UNDERWRITERS' LAB. INC. LISTED RATINGS	
-L96-	15A - 125, 250, OR 480 VAC
	1/2 A - 125 VDC; 1/4 A - 250 VDC
	1/8 HP - 125 VAC; 1/4 HP - 250 VAC
-L288-	
-L299-	
-L306-	
	16A 250V ~ T85 5E4

SCALE FULL	
DO NOT SCALE PRINT	
UNLESS OTHERWISE SPECIFIED DIMENSIONS ARE IN INCHES	
<b>TOLERANCES ARE:</b>	
ONE PLACE (.0)	±.030
TWO PLACE (.00)	±.015
THREE PLACE (.000)	±.005
ANGLES	±
WEIGHT .060 LB	

FORMTEK  
 FO-50378  
 DRAWN  
 GCH 17 MAY 62  
 CHECK  
 DAW  
 B, JUNE 62