

Momentary Switches – Door Switches XT

XT

Characteristics	<ul style="list-style-type: none"> ■ 8 mm contact gap and 8 mm creepage and air-gaps between individual and accessible parts ■ Safe mechanical separation by reset springs ■ Optional insulation accessory and key for maintenance purposes
Rating	Up to 400 VAC, 16.5 A
Dimensions (mm)	30 x 32 x 12
Actuator	Shrouded plunger
Approvals	UL, cUL, CSA, ENEC



Preferred Product Range

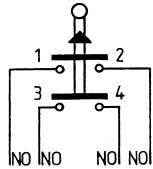
Ordering Reference	Actuating Force (N)	Actuating Force (oz)	Operating position (mm)	Operating position (in)	Terminal	Circuit	Actuator	Contacts	Electrical rating
XTD22AZ1	3.8	13.6	13.0	0.511	Faston	NO	Plunger	Silver nickel	Up to 250 VAC, 15.5 A

Momentary Switches – Door Switches XT

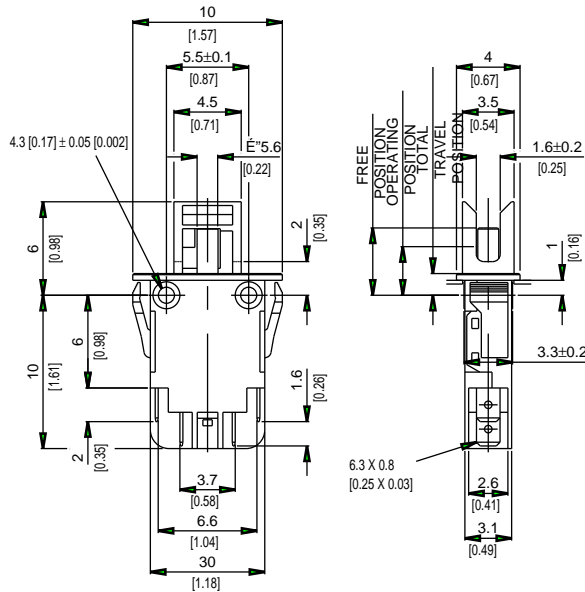
Specifications

Housing	Glass fiber reinforced polyester
Plunger	Glass fiber reinforced polyester
Mechanism	Normally open
Contacts	Silver nickel
Terminals	6.3 mm (0.25 in) faston (quick connect) - brass
Temperature range °C	-20°C to +85°C
Mechanical life	10 ⁶ cycles minimum (impact free actuation)
Protection	IP40 (enclosure)
Mounting	Snap-on or screw mounting
Actuator	Plunger (can be held depressed for maintenance with optional key)
Accessories	Maintenance key N41784 and multiplug housing XTMHSG

Circuit diagram



Dimensions
mm [in]



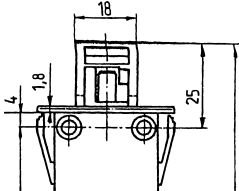
Recommended Maximum Electrical Ratings

Voltage (max)	Load (A)	Inductive load	Horsepower	Approval
125 VAC	15.5 (0.75 pf)	-	-	UL 1054/CSA 22.2 No. 55 - 6,000 operations
250 VAC	15.5 (0.75 pf)	-	-	UL 1054/CSA 22.2 No. 55 - 6,000 operations
125 VAC	-	-	½ HP (0.45 pf)	UL 1054 - Horsepower- 6,000 operations
250 VAC	-	-	½ HP (0.45 pf)	UL 1054 - Horsepower- 6,000 operations
125 VAC	-	-	1½ HP (0.45 pf)	UL 1054 - Horsepower- 6,000 operations
250 VAC	-	-	1½ HP (0.45 pf)	UL 1054 - Horsepower- 6,000 operations
30 VAC	0.5	-	-	EN.60158-1 T85 (°C) 50,000 operations
400 VAC	16.5	8	-	EN.60158-1 T85 (°C) 50,000 operations
30 VDC	0.5	-	-	UL 1054/CSA 22.2 No. 55 - 6,000 operations

Momentary Switches – Door Switches XT

Operating Characteristics

Actuator	Reference	Actuating Force Maximum		Release Force Minimum		Free Position Maximum		Operating Position		Total Travel Position Maximum		Over travel	
		(N)	(oz)	(N)	(oz)	(mm)	(in)	(mm)	(in)	(mm)	(in)	(mm)	(in)
Plunger (mm)	XTD22AZ1	3.8 (± 0.5)	13.6 (± 3.5)	5.8	20.8	18.0	0.708	13.0 ± 0.4	0.511 ± 0.016	10.0	0.394	3.0	0.118
								12.6	0.496				
								(low voltage contact)					



Ordering Reference – How to Build a Part Number

Type	XT	
Actuating Characteristic	D	3.8 N
Terminals	22 66 A	6.3 mm (0.25 in) faston (quick connect) terminals 4.8 mm (0.19 in) faston (quick connect) terminals 100 000 operation cycles
Form	– J P	Without identification: snap-on mounting with shroud Snap-on mounting without shroud Without shroud, without snap-on mounting
Approvals	Z1	UL, cUL, CSA and ENEC