

MICRO SWITCH

A DIVISION OF MINNEAPOLIS-HONEYWELL REGULATOR COMPANY
MINNEAPOLIS, MINNESOTA

FED. MFR. CODE 91929

SWITCH - BASIC

CATALOG LISTING

WZ-2RW822-A2

AVF2000

WZ-2RW822-A2
PAGE 1 OF 1

M

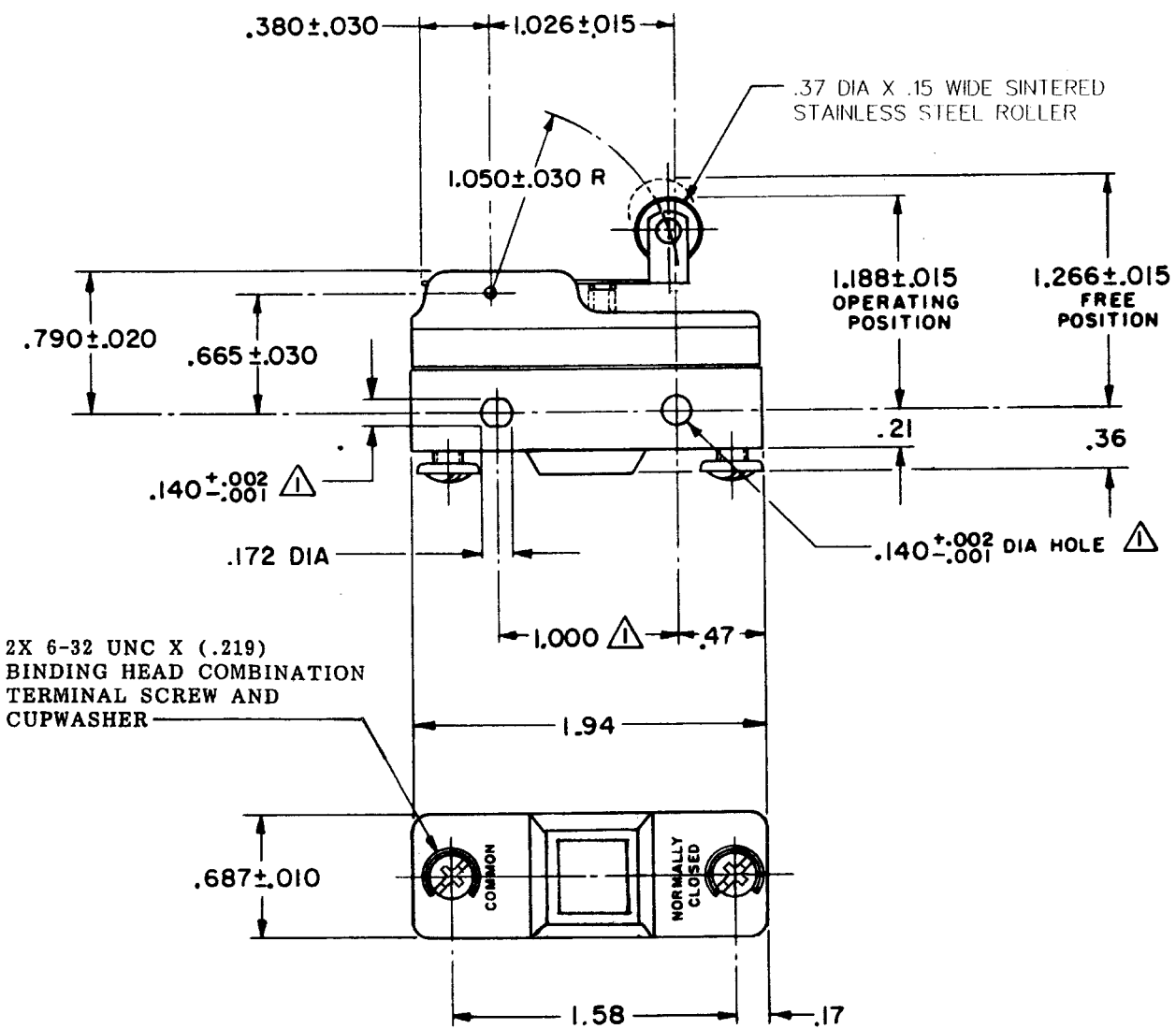
DRAWING NUMBER

ISSUE 13

REVISIONS

A	CO	16736	GCH	19 MAY 62
B	CO	34306	RER	18 JUL 75
C	CO	52446	WJM	1 FEB 83
D	CO	70184-H	GRT	2 JUN 92
E	CO	73287-J	JAL	22 NOV 93
F	CO	75204-B	WLS	1 FEB 94
G	CO	77591	DAW	22 JUN 94
H	CO	79125	SAD	30 NOV 94
J	CO	93346	DLT	2 SEP 98
K	CO	0018449	TGP	18 FEB 06

FORMTEK
CO-50276
DRAWN GCH 19 MAY 62



NOTE -
▲ MOUNTING HOLES WILL ACCEPT PINS OR SCREWS OF .139 MAX DIA ON 1.000 ± .002 CENTERS

THIS DRAWING COVERS A PROPRIETARY ITEM AND IS THE PROPERTY OF MICRO SWITCH, A DIVISION OF MINNEAPOLIS-HONEYWELL REGULATOR CO. THIS DRAWING IS NOT TO BE COPIED OR USED WITHOUT THE APPROVAL OF MICRO SWITCH.

CHARACTERISTICS	ELECTRICAL DATA	SCALE FULL
OPERATING FORCE ----- 6 OZ MAX	CONTACT ARRANGEMENT S P N C	DO NOT SCALE PRINT
RELEASE FORCE ----- 1 1/2 OZ MIN	-L74- 15 A-125, 250, OR 480 VAC; 2A-600 VAC 1/2 A-125 VDC; 1/4 A-250 VDC 1/8 HP-125 VAC; 1/4 HP-250 VAC	UNLESS OTHERWISE SPECIFIED DIMENSIONS ARE IN INCHES TOLERANCES ARE:
DIFFERENTIAL TRAVEL ----- 003-.020	-L288-	ONE PLACE (.0) ±.030 TWO PLACE (.00) ±.015 THREE PLACE (.000) ±.005 ANGLES ±
OVERTRAVEL ----- .094 MIN	-L306- 16A 250V ~ T85 5E4 -L315-	WEIGHT .076 LB