

MICRO SWITCH
a Honeywell Division

FED. MFG. CODE 91929

SWITCH - BASIC

CATALOG LISTING

V7-5F17D8-289

CW-C5012

REPLACES X99627-V7

RELEASE NO. PR-21897

PAGE 1 OF 1

CATALOG LISTING
V7-5F17D8-289
PAGE 1 OF 1

M

ISSUE
1

CHECK

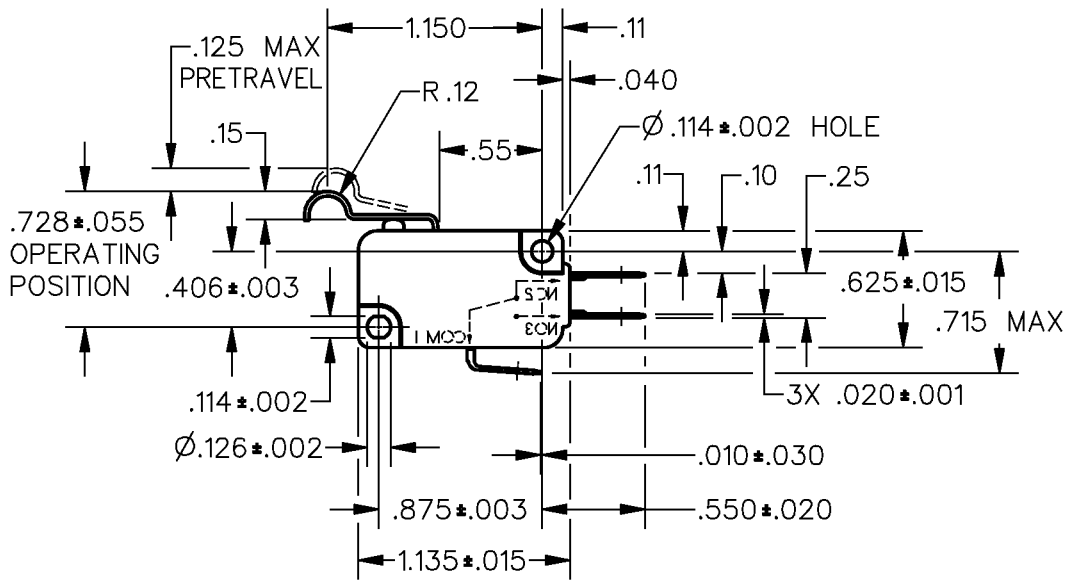
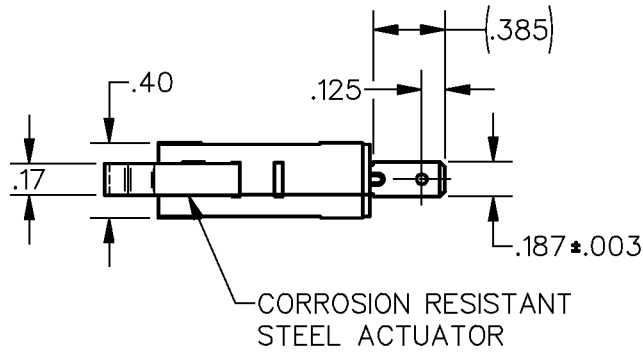
CHECK

CHECK

23 OCT 95

DCS

REVISIONS



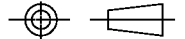
NOTES

- 1 FORCE CHARACTERISTICS TAKEN WITH SWITCH MOUNTING SURFACE HORIZONTAL
- 2 - CAUTION: OVERTRAVEL FORCE ON LEVER MUST NOT RESULT IN AN OVERTRAVEL FORCE ON PLUNGER EXCEEDING 5 POUNDS

ANSI Y14.5M-1982 APPLIES

THIS DRAWING COVERS A PROPRIETARY ITEM AND IS THE PROPERTY OF MICRO SWITCH, A DIVISION OF HONEYWELL. THIS DRAWING IS NOT TO BE COPIED OR USED WITHOUT THE APPROVAL OF MICRO SWITCH.

THIRD ANGLE PROJECTION



CHARACTERISTICS 1

OPERATING FORCE --- 8 GRAMS MAX
DIFFERENTIAL TRAVEL --- .029 MAX
OVERTRAVEL --- .069 MIN
RELEASE TRAVEL --- .018 MIN

ELECTRICAL DATA

CONTACT ARRANGEMENT
S P D T

L163 3A 125, 250, 277 VAC
1/10HP 250 VAC



SCALE FULL

DO NOT SCALE PRINT

UNLESS OTHERWISE SPECIFIED TOLERANCES ARE

ONE PLACE (.0) ±.030
TWO PLACE (.00) ±.015
THREE PLACE (.000) ±.005
ANGLES ±

WEIGHT

DDM/CAD
DRAWN