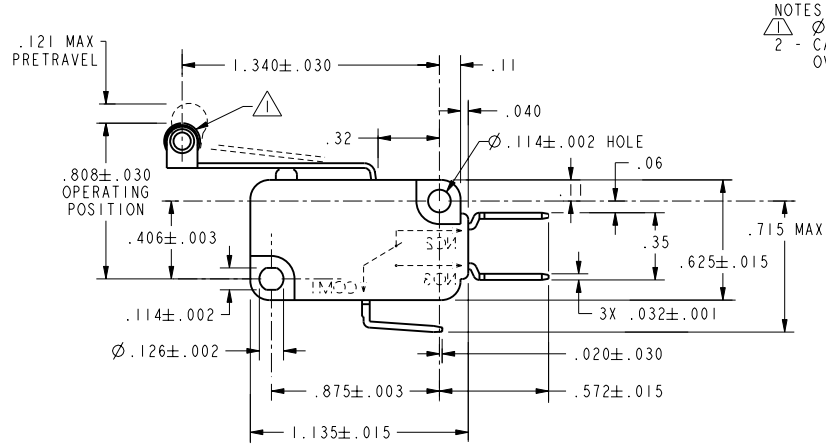
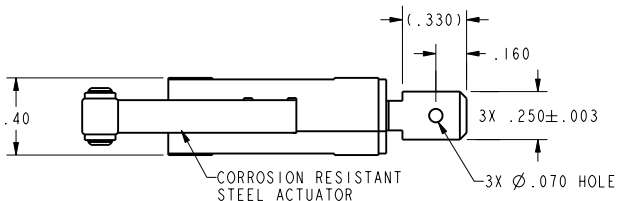


REV	DOCUMENT	CHANGED BY	CHECK
6	202161	TSM 21JAN01	SAV
7	207439	TSM 13FEB03	SAV

CW-B9060



NOTES
 1 - Ø.19 X .19 WIDE OIL BRONZE ROLLER (CONCENTRICITY .005 FIM)
 2 - CAUTION: OVERTRAVEL FORCE ON LEVER MUST NOT RESULT IN AN OVERTRAVEL FORCE ON PLUNGER EXCEEDING 5 POUNDS

CHARACTERISTICS		ELECTRICAL DATA		UNLESS OTHERWISE SPECIFIED TOLERANCES ARE:		DRAWN	TSM	21JAN01	Honeywell		
OPERATING FORCE-----	100 GRAMS MAX	CONTACT ARRANGEMENT S P D T		NO PLACE	X ±.040 ±1	CHECK	SAV	21JAN01	THIS DRAWING COVERS A PROPRIETARY ITEM AND IS THE PROPERTY OF HONEYWELL. THIS DRAWING IS NOT TO BE COPIED OR USED WITHOUT THE PERMISSION OF HONEYWELL.		
RELEASE FORCE -----	7 GRAMS MIN	21A 1HP 125, 250, 277 VAC 2HP 250, 277 VAC		ONE PLACE	.X ±.030 ±0,4	DIMENSIONS ARE TO BE MET BEFORE PROTECTIVE COATINGS ARE APPLIED					
DIFFERENTIAL TRAVEL -----	.030 MAX			TWO PLACE	.XX ±.015 ±0,15	PTC 2D ASME Y14.5M-1994					
OVERTRAVEL -----	.065 MIN			THIRD ANGLE PROJECTION		THREE PLACE	.XXX ±.005 ±	SCALE 2 : 1 WEIGHT SHEET 1 OF 1			
RELEASE TRAVEL -----	.016 MIN			ANGLES	± ±	SIZE DWG TYPE DRAWING NAME REV					
				RAW MATERIAL-COMMERCIAL STANDARD	± ±	B I V7-1V19E9-207 7					