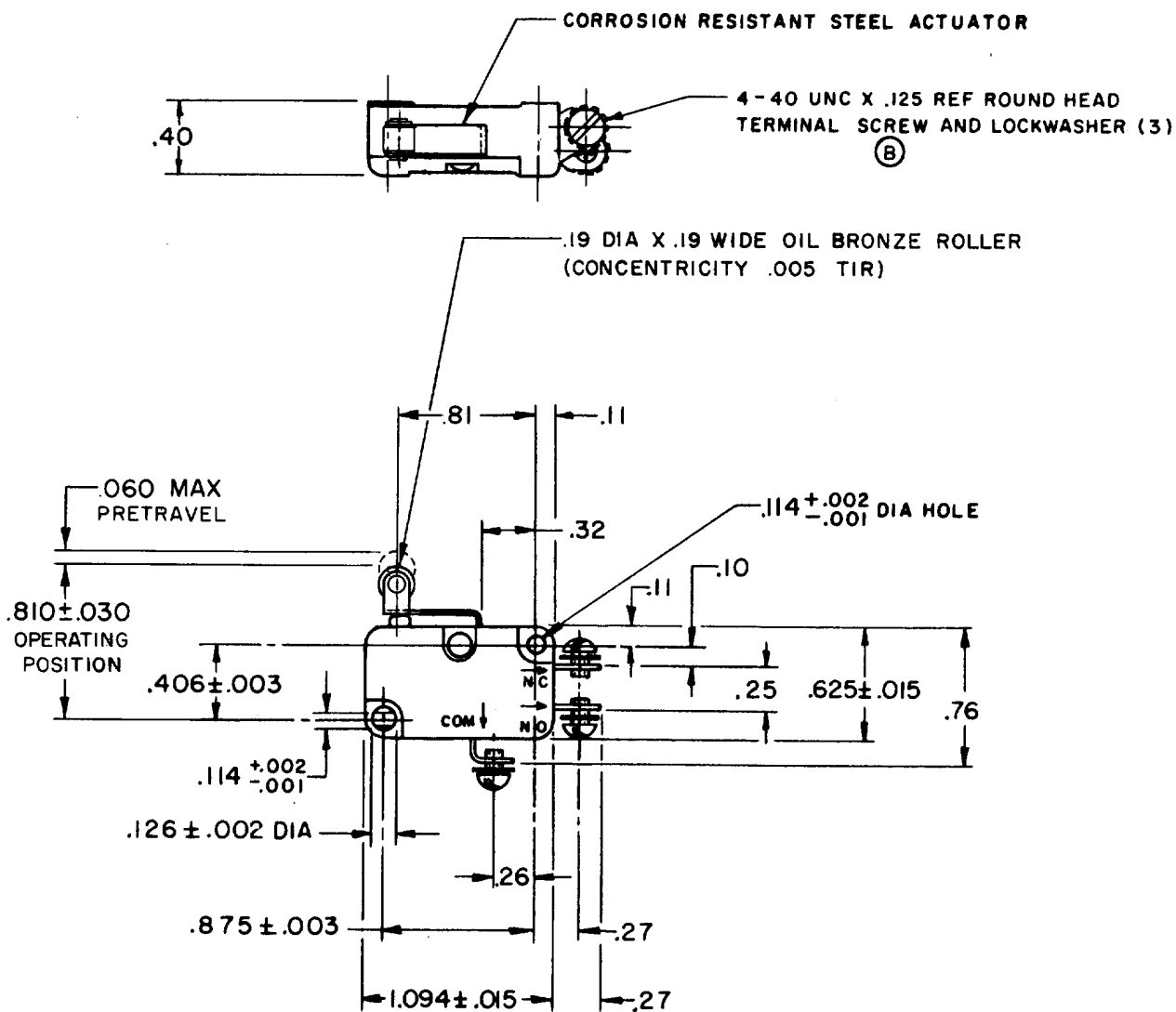


FED. MFG. CODE 91929

V3L-139
M
 DRAWING NUMBER
9
 ISSUE
2
 REVISIONS

A	SRI2775
D W C	10 MAR 67
B	CO24941
M B S	4 DEC 68
C	CO28075
M B S	27 AUG 69
D	CO31748
L S D	3 APR 73
E	CO-32396
K P K	7 FEB 74
F	CO 59921
SMA	20 SEPT 88
G	CO 76442
D C S	2 DEC 93

 CHECK
 SR-12775
 RELEASE NO.
 CHECK
 LSD 10 MAR 67
 CHECK
 D W C 10 MAR 67
 DRAWN
 FO-50376



THIS DRAWING COVERS A PROPRIETARY ITEM AND IS THE PROPERTY OF MICRO SWITCH, A DIVISION OF HONEYWELL. THIS DRAWING IS NOT TO BE COPIED OR USED WITHOUT THE APPROVAL OF MICRO SWITCH.

CHARACTERISTICS

OPERATING FORCE ----- 8 OZ MAX

RELEASE FORCE ----- 2 OZ MIN

DIFFERENTIAL TRAVEL ----- .016 MAX

OVERTRAVEL ----- .040 MIN

RELEASE TRAVEL ----- .007 MIN

ELECTRICAL DATA

CONTACT ARRANGEMENT
S P D T

- L156 - 11A-1/3HP-125-250-277 VAC
1/2A-125 VDC; 1/4A-250 VDC
4A-125 VAC "L"



SCALE FULL

DO NOT SCALE PRINT

UNLESS OTHERWISE NOTED

DIMENSIONS ARE IN INCHES

TOLERANCES ARE:

ONE PLACE (.0) $\pm .030$
TWO PLACE (.00) $\pm .015$
THREE PLACE (.000) $\pm .005$
ANGLES \pm

WEIGHT