

MICRO SWITCH

A DIVISION OF MINNEAPOLIS-HONEYWELL REGULATOR COMPANY
 FREEPORT, ILLINOIS
 FED. MFR. CODE 91929

SWITCH-BASIC

CATALOG LISTING
DT-2R-B6

(M) DT-2R-B6
 ISSUE 3

DT-2R-B6

REPLACES

RELEASE NO.

M

DRAWING NUMBER

12

ISSUE

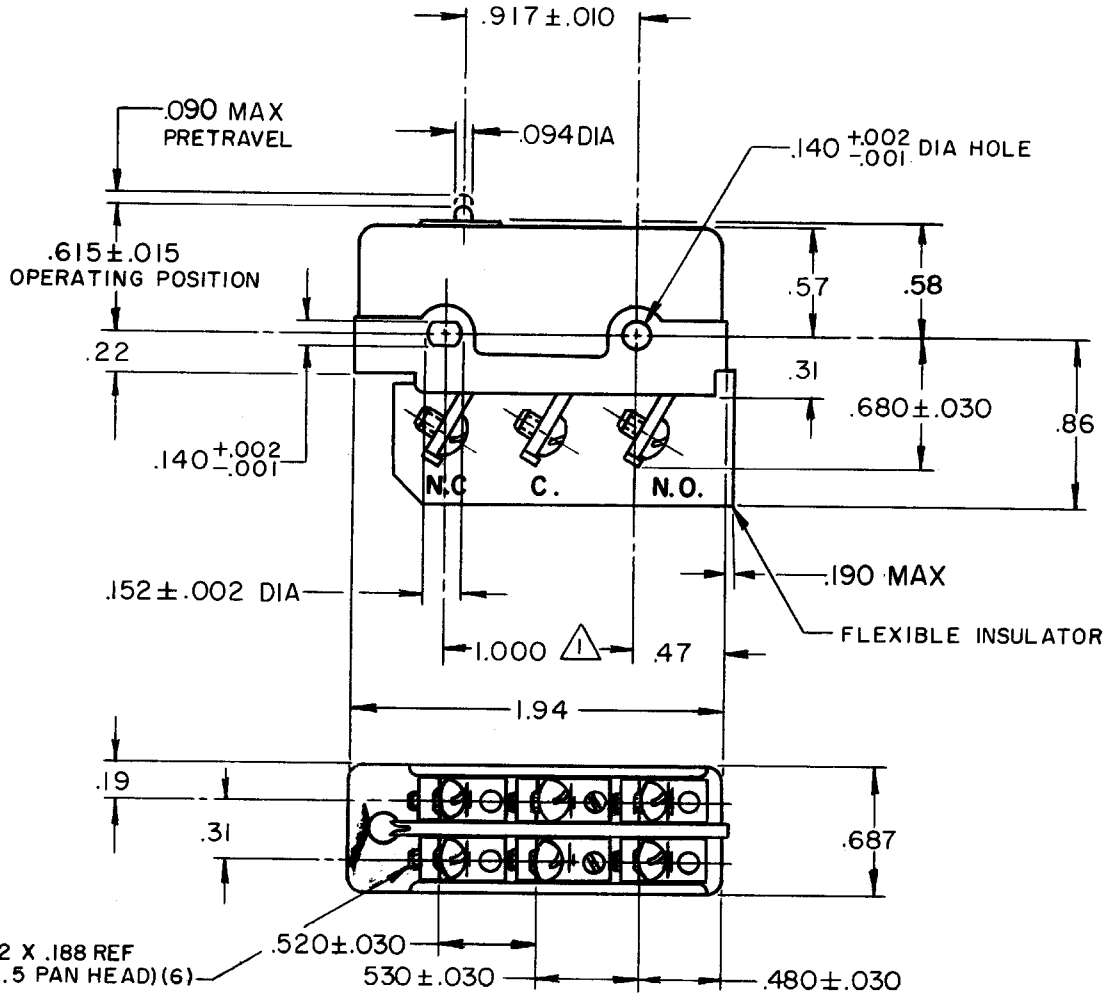
REVISIONS

A	CO15451	L S D	17 JAN 61
B	CO17707	R E R	14 MAR 63
C	CO17725	L S D	25 JUN 63
D	CO 21667	M B F	30 JUN 66
E	CO-30659	S R H	31 MAY 72
F	CO37528	C J H	31 AUG 76
G	CO 38759	R E R	25 MAY 77
H	CO 39046	G A S	16 SEPT 77
J	CO80154	JAK	28 FEB 95

CHECK

CHECK

CHECK



6-32 NC-2 X .188 REF SCREW (NO. 5 PAN HEAD) (6)

NOTE -
 ▲ MOUNTING HOLES WILL ACCEPT PINS OR SCREWS OF .139 MAX DIA ON 1.000 ± .002 CENTERS

THIS DRAWING COVERS A PROPRIETARY ITEM AND IS THE PROPERTY OF MICRO SWITCH, A DIVISION OF MINNEAPOLIS-HONEYWELL REGULATOR CO. THIS DRAWING IS NOT TO BE COPIED OR USED WITHOUT THE APPROVAL OF MICRO SWITCH.

CHARACTERISTICS

OPERATING FORCE ----- 12-20 OZ
 RELEASE FORCE ----- 2 OZ MIN
 DIFFERENTIAL TRAVEL --- .040-.060
 OVERTRAVEL ----- .005 MIN

ELECTRICAL DATA

CONTACT ARRANGEMENT
 D P D T
 UNDERWRITERS' LAB. INC. LISTED RATING
 -L59- 10 A-125 OR 250 VAC
 0.3 A-125 VDC ; 0.15 A-250 VDC
 DWL

SCALE FULL

DO NOT SCALE PRINT
 UNLESS OTHERWISE SPECIFIED
 DIMENSIONS ARE IN INCHES
TOLERANCES ARE:
 ONE PLACE (.0) ± .090
 TWO PLACE (.00) ± .015
 THREE PLACE (.000) ± .008
 ANGLES ±

WEIGHT

FO-50378

DRAWN

L S D 17 JAN 61