

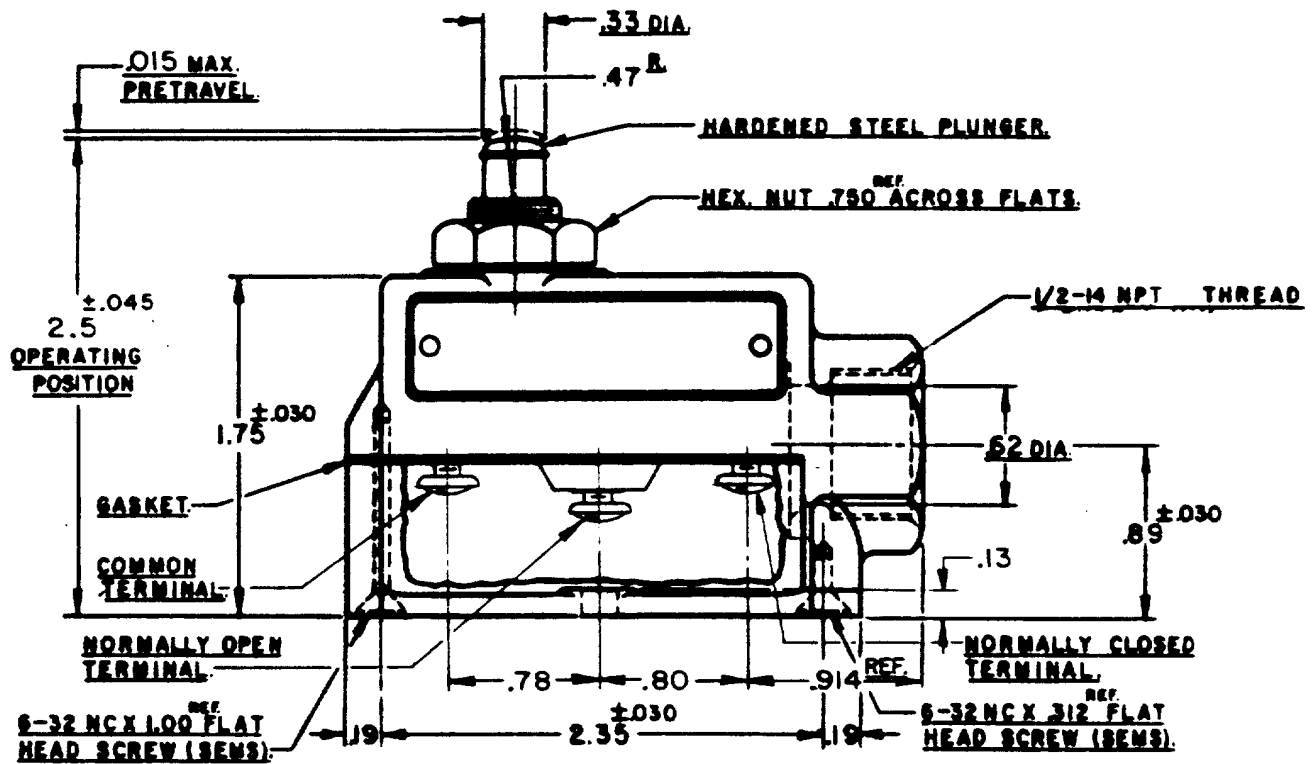
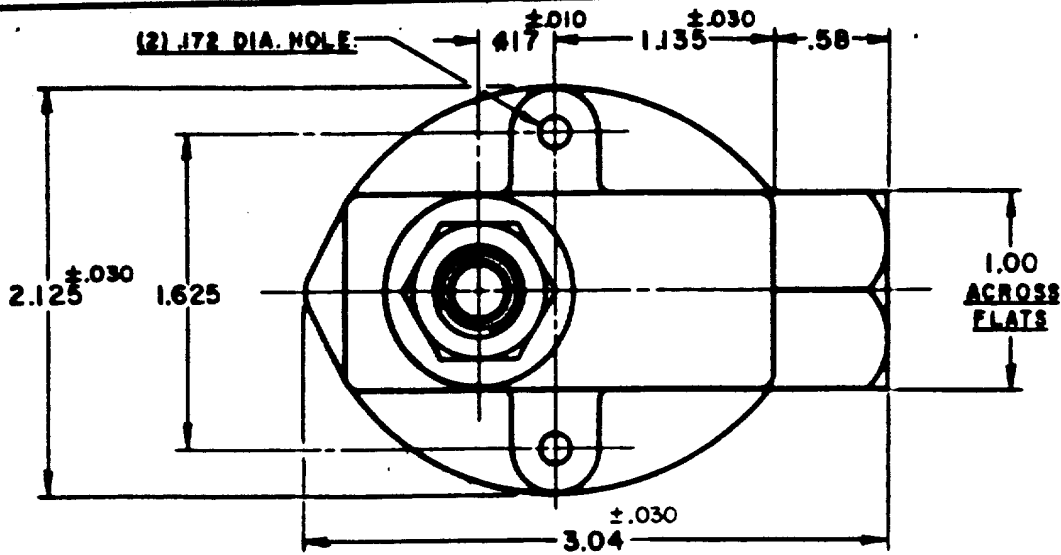
MICRO SWITCH

SWITCH - ENCLOSED

★ **BZV6-2RQ**

FED. MFR. CODE 91829

THIS DRAWING COVERS A PROPRIETARY ITEM AND IS THE PROPERTY OF MICRO SWITCH, A DIVISION OF HONEYWELL. THIS DRAWING IS NOT TO BE COPIED OR USED WITHOUT THE APPROVAL OF MICRO SWITCH.



NOTE-

1-(3) 6-32 NC X .219^{REF} TERMINAL SCREW AND CUPWASHER.

M BZV6-2RQ

DRAWING NUMBER

X 7

ISSUE X 5

REPLACES SR-7228

RELEASE NO. SR-7228

23 JAN 58

CHECK C W M

23 JAN 58

CHECK C N T

23 JAN 58

CHECK C H 28

15 JAN 58

CHECK

DRAWN O. M. W.

CHARACTERISTICS	
OPERATING FORCE-----	9-13 OZ.
RELEASE FORCE-----	4 OZ. MIN.
DIFFERENTIAL TRAVEL-----	.002 MAX.
OVERTRAVEL-----	.219 MIN.
SWITCH-BASIC REPLACEMENT---	BZ-2RQ66

ELECTRICAL DATA	
CONTACT ARRANGEMENT S. P. D. T.	
15A-125, 250 OR 400 VAC, 2A-600 VAC -L74- 1/8HP-125 VAC; 1/4HP-250 VAC 1/2A-125 VDC; 1/4A-250 VDC	

SCALE - FULL	
DO NOT SCALE PRINT	
UNLESS OTHERWISE SPECIFIED DIMENSIONS ARE IN INCHES	
TOLERANCES ARE:	
ONE PLACE (.0)	±.000
TWO PLACE (.00)	±.010
THREE PLACE (.000)	±.000
ANGLES	±
WEIGHT .62 LB.	

