

MICRO SWITCH

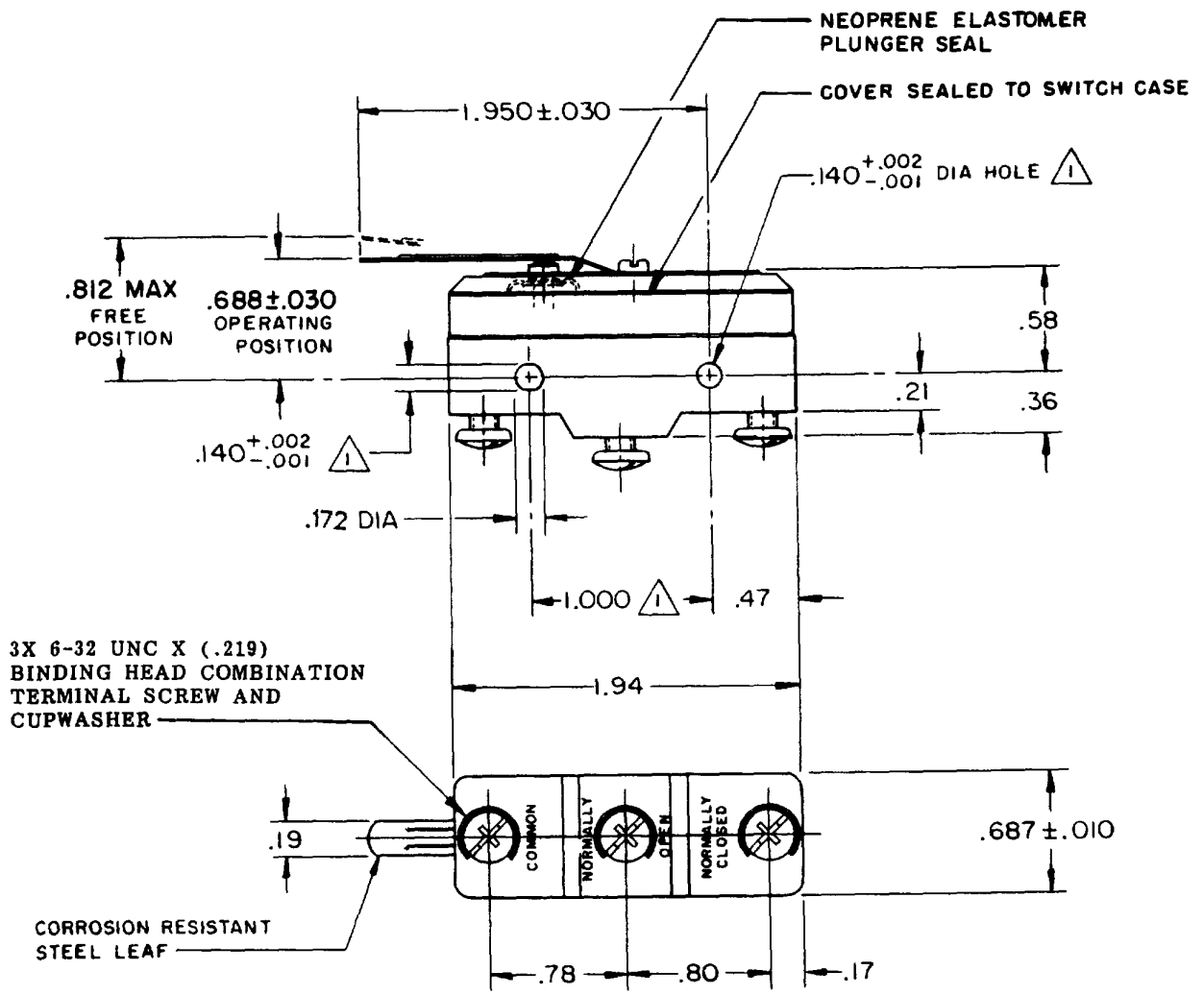
FREEPORT ILLINOIS, U.S.A
A DIVISION OF HONEYWELL
FED. MFG. CODE 91929

SWITCH-BASIC

CATALOG LISTING

BZ-2RL5551-A2

M BZ-2RL5551-A2
 PAGE 1 OF 1
 DRAWING NUMBER
 ISSUE 5
 REVISIONS
 A C067209 J A P 3 MAY 90
 B CO-73287-J J A L 22 NOV 93
 C CO-77589 K D R 29 MAR 94
 D C093346 D L T 9 SEP 98
 CHECK 16 JAN 70
 CHECK 16 JAN 70
 CHECK 27 DEC 69
 DRAWN
 GCH
 FORMTEK
 0-90378-1A
 RELEASE NO. PR-1019
 REPLACES



NOTES
 1 MOUNTING HOLES WILL ACCEPT PINS OR SCREWS OF .139 MAX DIA ON 1.000 ± .002 CENTERS
 2 - SEALED CONSTRUCTION PROVIDES SPLASH RESISTANCE

THIS DRAWING COVERS A PROPRIETARY ITEM AND IS THE PROPERTY OF MICRO SWITCH, A DIVISION OF HONEYWELL. THIS DRAWING IS NOT TO BE COPIED OR USED WITHOUT THE APPROVAL OF MICRO SWITCH.

CHARACTERISTICS	ELECTRICAL DATA	SCALE FULL
OPERATING FORCE ----- 7 OZ MAX	CONTACT ARRANGEMENT S P D T	DO NOT SCALE PRINT
RELEASE FORCE ----- 1/2 OZ MIN	L96 15A 125, 250 OR 480 VAC 1/8 HP 125 VAC, 1/4 HP 250 VAC 1/2A 125 VDC, 1/4A 250 VDC L288 L299 L306 CE Ⓟ RJ Ⓟ 16A 250V ~ T85 5E4	UNLESS OTHERWISE NOTED DIMENSIONS ARE IN INCHES TOLERANCES ARE:
DIFFERENTIAL TRAVEL ----- .050 MAX		ONE PLACE (.01) ± .030 TWO PLACE (.001) ± .013 THREE PLACE (.000) ± .005 ANGLES ± .005
DO NOT OVERTRAVEL MORE THAN ----- .060		WEIGHT .063 LB