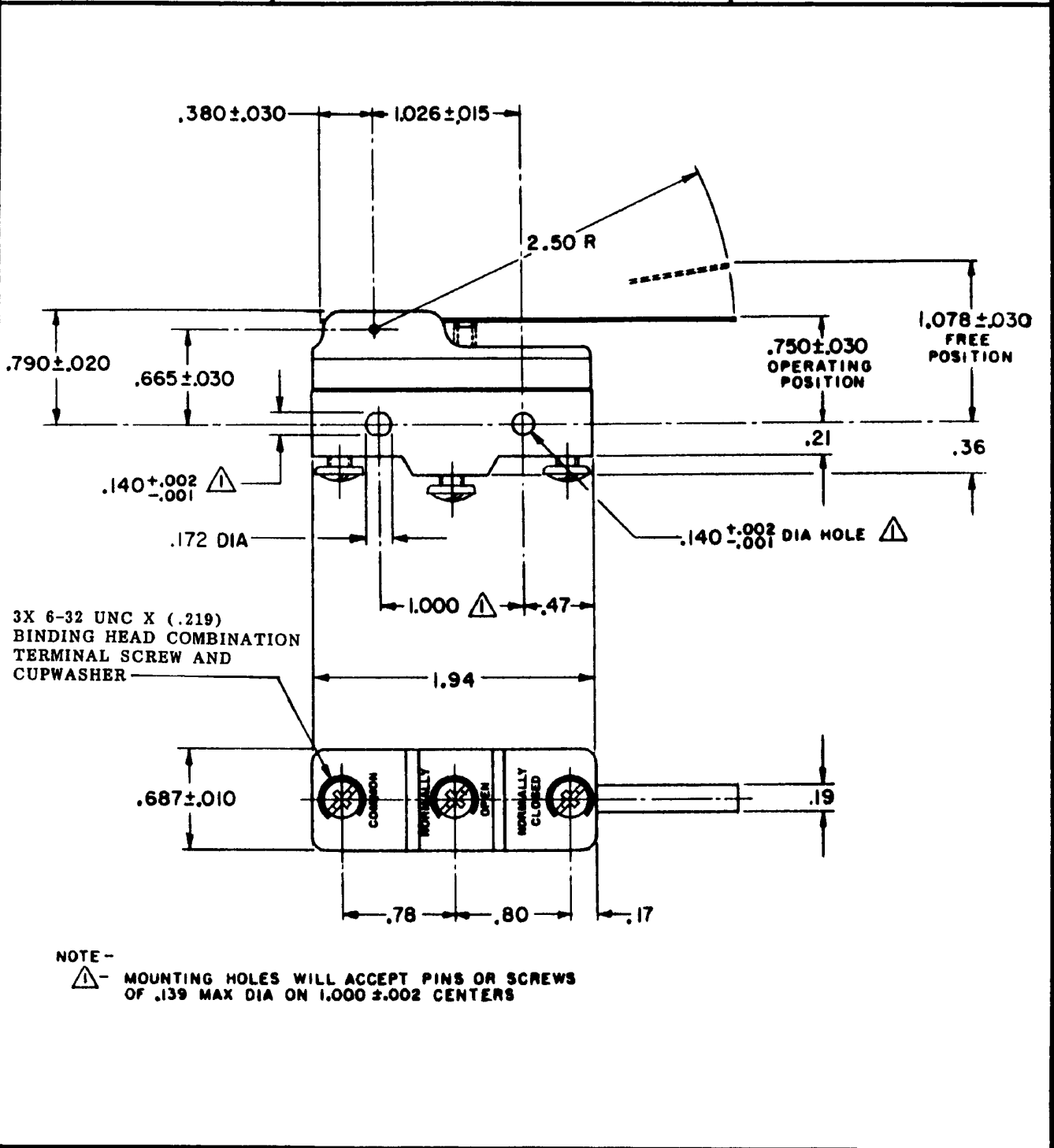


CATALOG LISTING  
**BZ-RW80-A2**  
 PAGE 1 OF 1  
**M**  
 ISSUE 7  
 REVISIONS  

A	CO-16736	6 CH	12 MAR 92
B	0023645	M B F	23 JAN 68
C	CO-73287-J	J A L	22 NOV 93
D	CO-77589	J A L	30 MAR 94
E	203155	C S L	24 MAY 01

 CHECK  
 29 MAR 62  
 DRAWN  
 12 MAR 62  
 RASTER  
 0-80378



3X 6-32 UNC X (.219)  
 BINDING HEAD COMBINATION  
 TERMINAL SCREW AND  
 CUPWASHER

NOTE -  
 MOUNTING HOLES WILL ACCEPT PINS OR SCREWS  
 OF .139 MAX DIA ON 1.000 ± .002 CENTERS

THIS DRAWING COVERS A PROPRIETARY ITEM AND IS THE PROPERTY OF MICRO SWITCH, A DIVISION OF MINNEAPOLIS-HONEYWELL REGULATOR CO. THIS DRAWING IS NOT TO BE COPIED OR USED WITHOUT THE APPROVAL OF MICRO SWITCH.

CHARACTERISTICS	ELECTRICAL DATA	SCALE FULL
OPERATING FORCE ----- 2 1/4 OZ MAX	CONTACT ARRANGEMENT S P D T	DO NOT SCALE PRINT
RELEASE FORCE ----- 1/2 OZ MIN	L103 15A 125, 250 OR 480 VAC 1/8HP 125 VAC, 1/4HP 250 VAC	UNLESS OTHERWISE SPECIFIED DIMENSIONS ARE IN INCHES <b>TOLERANCES ARE:</b>
DIFFERENTIAL TRAVEL ----- .003 - .015	L288 L299 L306	ONE PLACE (.9) ± .000 TWO PLACE (.00) ± .018 THREE PLACE (.000) ± .005 ANGLES ±
OVERTRAVEL ----- .219 MIN	CE 16A 250V $\sphericalangle$ T85 5E4	WEIGHT .073 LB

# MICRO SWITCH

A DIVISION OF MINNEAPOLIS-HONEYWELL REGULATOR COMPANY  
 FEDERAL MANUFACTURING CODE 91929

## SWITCH - BASIC

CATALOG LISTING

**BZ-RW80-A2**

**M** BZ-RW80-A2

DRAWING NUMBER

ISSUE **6**

REPLACES

RELEASE NO.

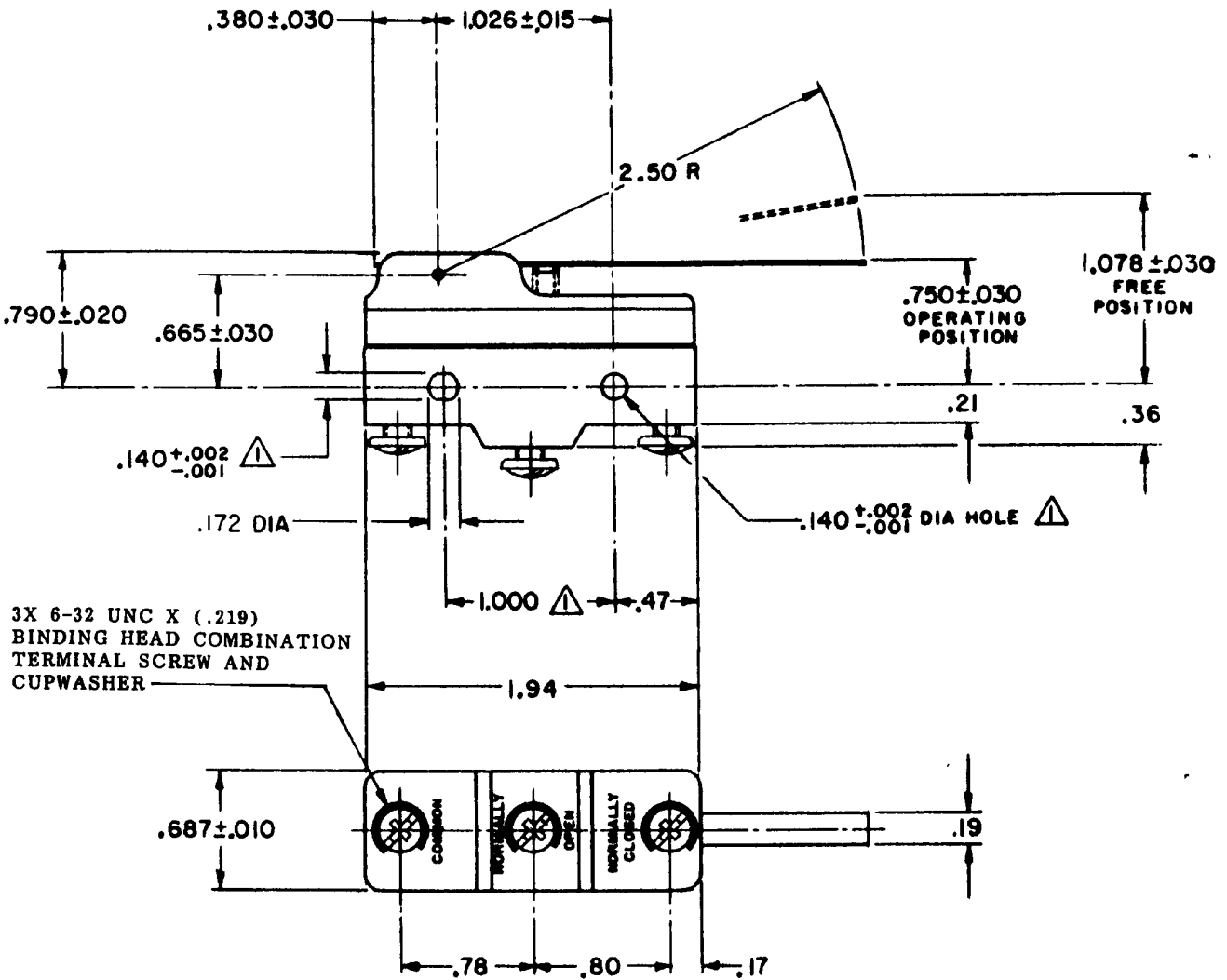
CHECK

CHECK

29 MAR 62

CHECK DRAW


12 MAR 62



3X 6-32 UNC X (.219)  
 BINDING HEAD COMBINATION  
 TERMINAL SCREW AND  
 CUPWASHER

NOTE -  
 ▲ MOUNTING HOLES WILL ACCEPT PINS OR SCREWS  
 OF .139 MAX DIA ON 1.000 ± .002 CENTERS

THIS DRAWING COVERS A PROPRIETARY ITEM AND IS THE PROPERTY OF MICRO SWITCH, A DIVISION OF MINNEAPOLIS-HONEYWELL REGULATOR CO. THIS DRAWING IS NOT TO BE COPIED OR USED WITHOUT THE APPROVAL OF MICRO SWITCH.

CHARACTERISTICS	ELECTRICAL DATA	SCALE FULL
OPERATING FORCE----- 2 1/4 OZ MAX	CONTACT ARRANGEMENT S P D T	DO NOT SCALE PRINT
RELEASE FORCE----- 1/2 OZ MIN	UNDERWRITERS' LAB. INC. LISTED RATING -L103- 15 A-125, 250 OR 480 VAC 1/8 HP-125 VAC; 1/4 HP-250 VAC	UNLESS OTHERWISE SPECIFIED DIMENSIONS ARE IN INCHES <b>TOLERANCES ARE:</b>
DIFFERENTIAL TRAVEL----- .003 - .015		
OVERTRAVEL----- .219 MIN		WEIGHT .073 LB

O-80378

5