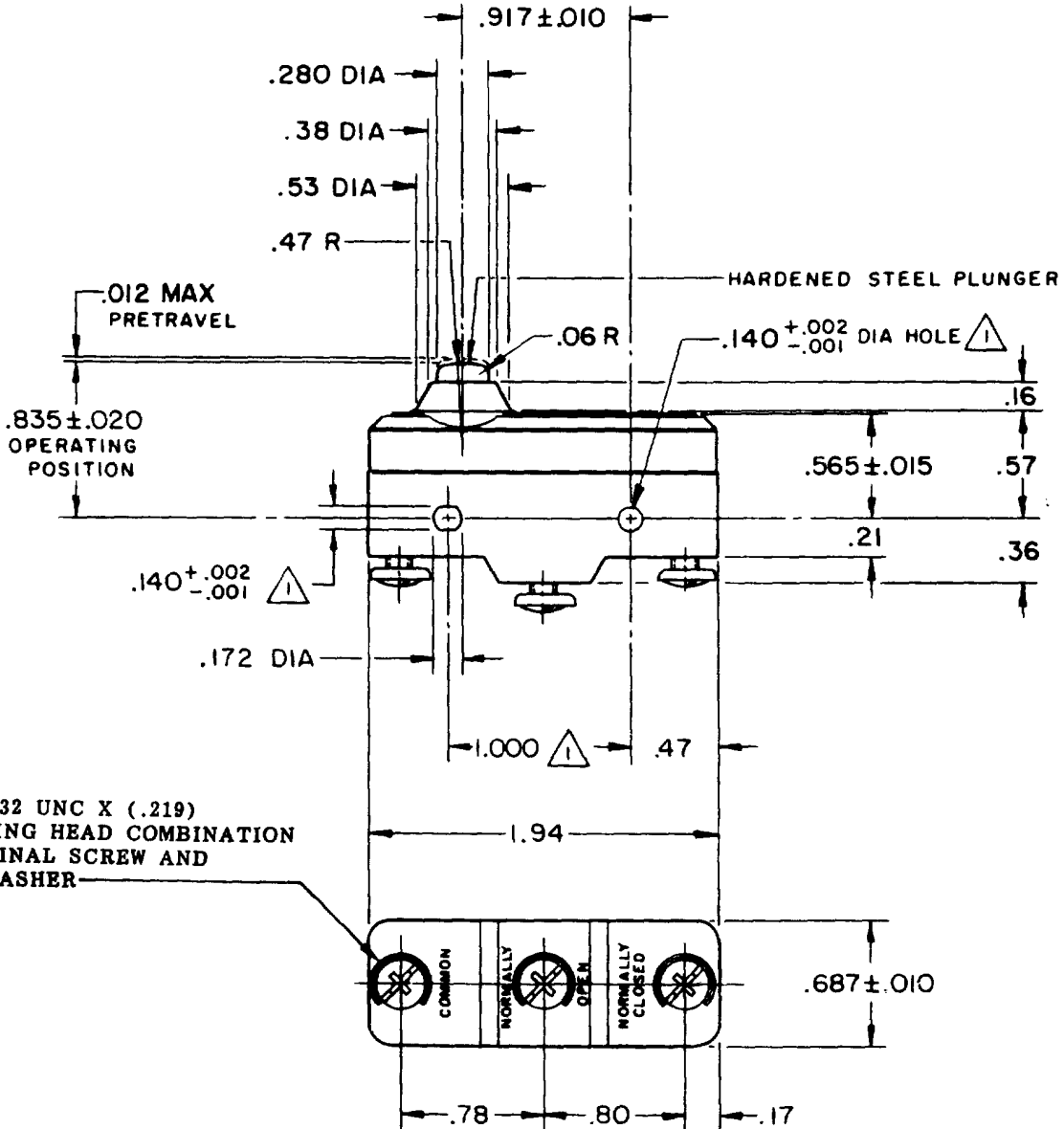




MICRO SWITCH
 FREEPORT, ILLINOIS, U.S.A.
 A DIVISION OF HONEYWELL
 FED. MFG. CODE 91929

SWITCH-BASIC

CATALOG LISTING
BZ-RD-A2



NOTE -
 MOUNTING HOLES WILL ACCEPT PINS OR SCREWS OF .139 MAX DIA ON 1.000±.002 CENTERS

THIS DRAWING COVERS A PROPRIETARY ITEM AND IS THE PROPERTY OF MICRO SWITCH, A DIVISION OF MINNEAPOLIS-HONEYWELL REGULATOR CO. THIS DRAWING IS NOT TO BE COPIED OR USED WITHOUT THE APPROVAL OF MICRO SWITCH.

CHARACTERISTICS

OPERATING FORCE----- 6-9 1/2 OZ
 RELEASE FORCE----- 4 OZ MIN
 DIFFERENTIAL TRAVEL----- .0002-.0005
 OVERTRAVEL----- .060 MIN

ELECTRICAL DATA

CONTACT ARRANGEMENT
 S P D T

L103 15A 125, 250 OR 480 VAC
 1/8HP 125 VAC, 1/4HP 250 VAC

L288
 L299
 L306

CE

16A 250V T85 5E4

SCALE FULL

DO NOT SCALE PRINT

UNLESS OTHERWISE NOTED
 DIMENSIONS ARE IN INCHES

TOLERANCES ARE:
 ONE PLACE (.0) ±.030
 TWO PLACE (.00) ±.018
 THREE PLACE (.000) ±.008
 ANGLES ±.008

WEIGHT .064 LB

CATALOG LISTING
BZ-RD-A2
 PAGE 1 OF 1
M
 ISSUE 7
 REVISIONS
 A CO 15200 W L K 18 MAR 64
 B 2023645 M B F 22 JAN 65
 C CO-73287-J J A L 22 NOV 93
 D CO-77589 J A L 30 MAR 94
 E 203155 C S L 24 MAY 01
 RASTER DRAWN W L K 18 MAR 64 CHECK DAW 21 MAR 64 CHECK
 REPLACES RELEASE NO.



MICRO SWITCH
 FREEPORT, ILLINOIS, U.S.A.
 A DIVISION OF HONEYWELL
 FED. MFG. CODE 91829

SWITCH - BASIC

CATALOG LISTING
BZ-RD-A2

BZ-RD-A2

M

DRAWING NUMBER

ISSUE **36**

REVISIONS

A	CO-15200	W L K	18 MAR 64
B	CO23645	M B F	22 JAN 68
C	CO-73287-J	J A L	22 NOV 93
D	CO-77589	J A L	30 MAR 94

CHECK

RELEASE NO.

REPLACES

FO-80378

DRAWN

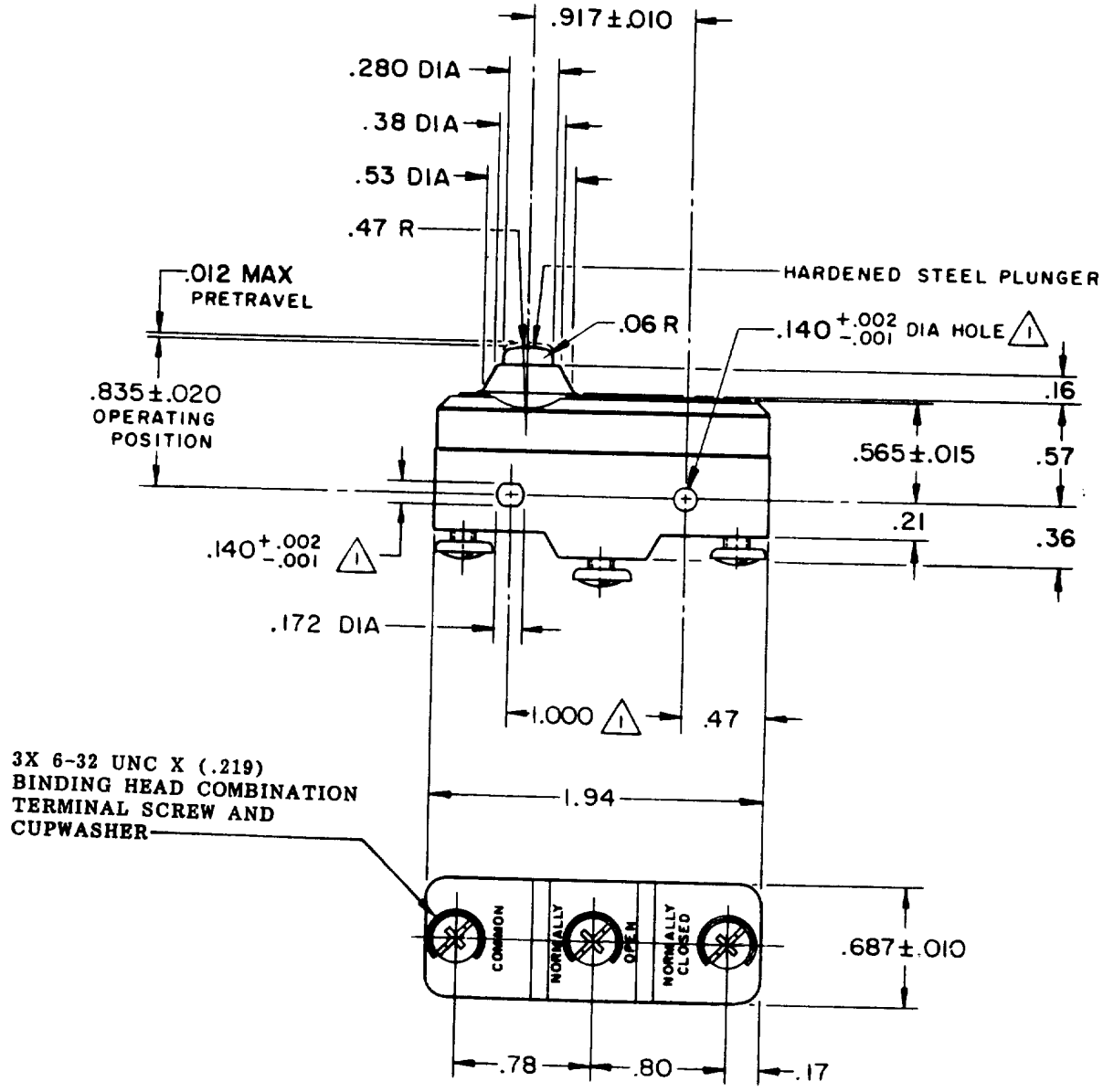
W L K

18 MAR 64

CHECK

DAW

21 MAR 64



NOTE - MOUNTING HOLES WILL ACCEPT PINS OR SCREWS OF .139 MAX DIA ON 1.000 ± .002 CENTERS

THIS DRAWING COVERS A PROPRIETARY ITEM AND IS THE PROPERTY OF MICRO SWITCH, A DIVISION OF MINNEAPOLIS-HONEYWELL REGULATOR CO. THIS DRAWING IS NOT TO BE COPIED OR USED WITHOUT THE APPROVAL OF MICRO SWITCH.

CHARACTERISTICS	
OPERATING FORCE	6-9 1/2 OZ
RELEASE FORCE	4 OZ MIN
DIFFERENTIAL TRAVEL	.0002-.0005
OVERTRAVEL	.060 MIN

ELECTRICAL DATA	
CONTACT ARRANGEMENT S P D T	
UNDERWRITERS' LAB. INC. LISTED RATING	
-L103-	15 A-125, 250 OR 480 VAC 1/8 HP-125 VAC, 1/4 HP-250 VAC

SCALE FULL	
DO NOT SCALE PRINT	
UNLESS OTHERWISE NOTED	
DIMENSIONS ARE IN INCHES	
TOLERANCES ARE:	
ONE PLACE (.0)	± .030
TWO PLACE (.00)	± .015
THREE PLACE (.000)	± .005
ANGLES	±
WEIGHT .064 LB	