

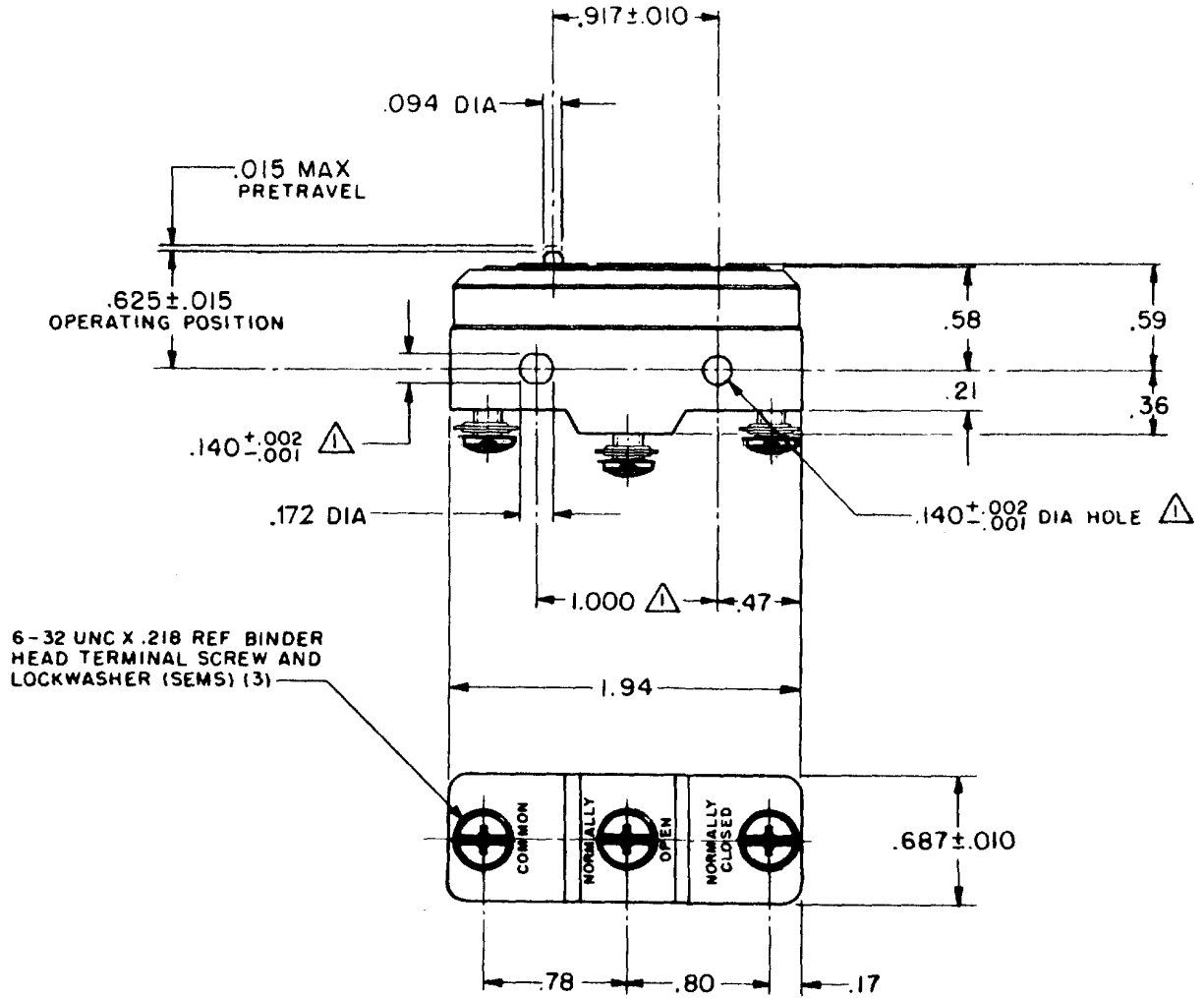


MICRO SWITCH
 FREEPORT, ILLINOIS, U.S.A.
 A DIVISION OF HONEYWELL
 FED. MFG. CODE 91929

SWITCH - BASIC

CATALOG LISTING
BZ - 2RT

FORMTEK
 FO-90378
 DRAWN
 G C H 22 APRIL 63
 CHECK
 L S D 14 JUN 63
 REVISIONS
 A C017410
 G C H
 22 APRIL 63
 B C026678
 R E R
 1 DEC 69
 C CO-59351-D
 JWB
 18 JUL 91
 D CO-77589
 K D R
 29 MAR 94
 E C093346
 D L T
 4 SEP 98
 ISSUE 13
 DRAWING NUMBER
 BZ-2RT
 PAGE 1 OF 1
 RELEASE NO.
 CHECK
 REPLACES



NOTE
 ▲ - MOUNTING HOLES WILL ACCEPT PINS OR SCREWS OF .139 MAX DIA ON 1.000 ± .002 CENTERS

THIS DRAWING COVERS A PROPRIETARY ITEM AND IS THE PROPERTY OF MICRO SWITCH, A DIVISION OF MINNEAPOLIS-HONEYWELL REGULATOR CO. THIS DRAWING IS NOT TO BE COPIED OR USED WITHOUT THE APPROVAL OF MICRO SWITCH.

CHARACTERISTICS	ELECTRICAL DATA	SCALE FULL
OPERATING FORCE ----- 9 - 13 OZ	CONTACT ARRANGEMENT S P D T	DO NOT SCALE PRINT
RELEASE FORCE ----- 4 OZ MIN	UNDERWRITERS' LAB. INC. LISTED RATING	UNLESS OTHERWISE NOTED
DIFFERENTIAL TRAVEL ----- .0004 - .0020	-L96- 15 A - 125, 250, OR 480 VAC	DIMENSIONS ARE IN INCHES
OVERTRAVEL ----- .005 MIN	-L288- 1/2 A - 125 VDC; 1/4 A - 250 VDC	TOLERANCES ARE:
	-L299- 1/8 HP - 125 VAC; 1/4 HP - 250 VAC	ONE PLACE (.0) ± .030
	-L306-	TWO PLACE (.00) ± .015
	16A 250V ~ T85 5E4	THREE PLACE (.000) ± .005
		ANGLES ±
		WEIGHT .065 LB MAX