

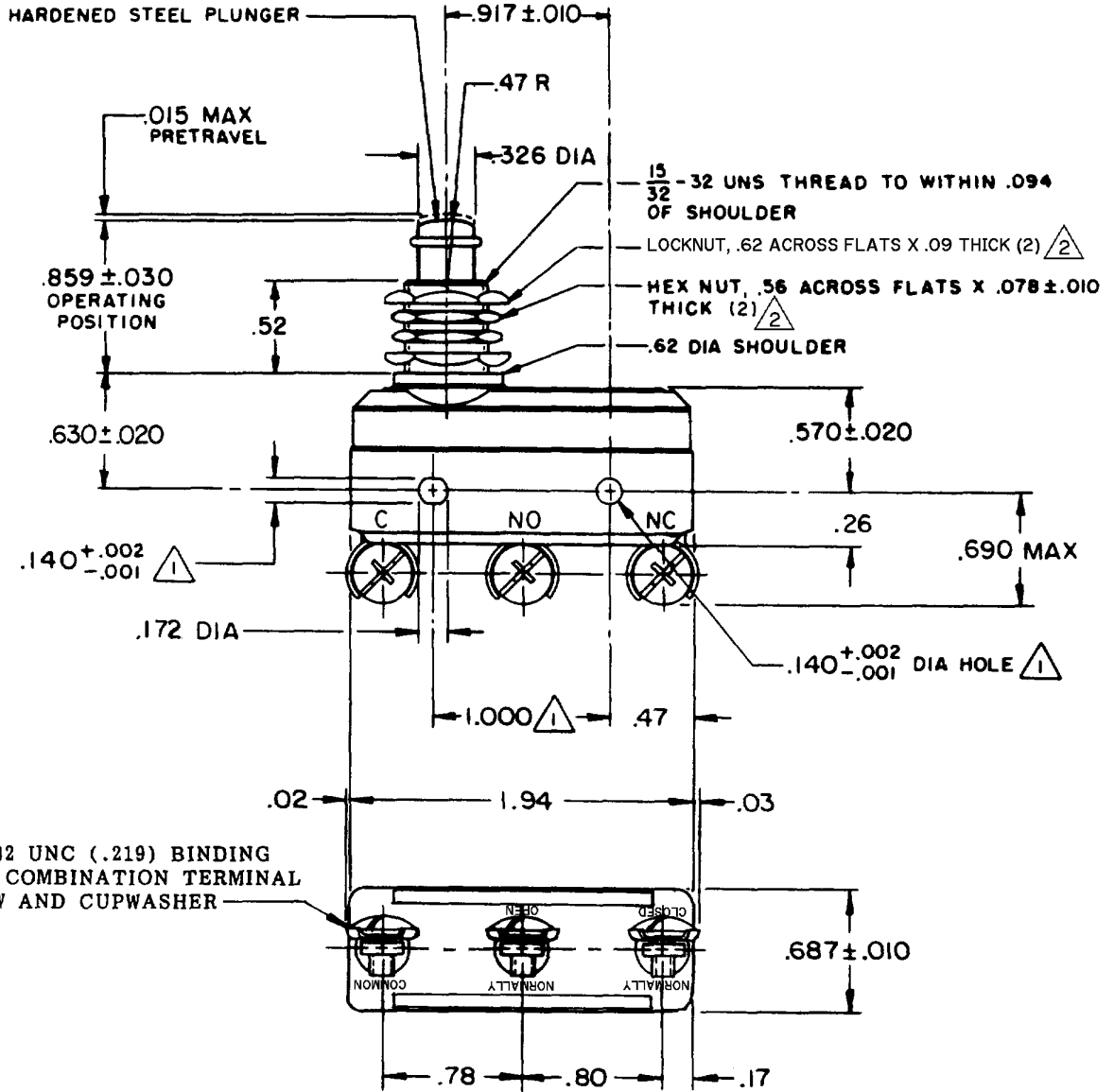


MICRO SWITCH
 FREEPORT, ILLINOIS, U.S.A.
 A DIVISION OF HONEYWELL
 FED. MFG. CODE 91929

SWITCH - BASIC

CATALOG LISTING

BZ - 2RQ1 - P4



3X 8-32 UNC (.219) BINDING HEAD COMBINATION TERMINAL SCREW AND CUPWASHER

- NOTES
- ① MOUNTING HOLES WILL ACCEPT PINS OR SCREWS OF .139 MAX DIA ON 1.000 ± .002 CENTERS
 - ② HARDWARE FURNISHED UNASSEMBLED

THIS DRAWING COVERS A PROPRIETARY ITEM AND IS THE PROPERTY OF MICRO SWITCH, A DIVISION OF HONEYWELL. THIS DRAWING IS NOT TO BE COPIED OR USED WITHOUT THE APPROVAL OF MICRO SWITCH.

CHARACTERISTICS	ELECTRICAL DATA	SCALE FULL
OPERATING FORCE ----- 9-13 OZ	CONTACT ARRANGEMENT S P D T	DO NOT SCALE PRINT
RELEASE FORCE ----- 4 OZ MIN	UNDERWRITERS' LAB. INC. LISTED RATING - L96- 15 A-125, 250, OR 480 VAC 1/2 A-125 VDC; 1/4 A-250 VDC 1/8 HP-125 VAC; 1/4 HP-250 VAC	UNLESS OTHERWISE NOTED DIMENSIONS ARE IN INCHES TOLERANCES ARE:
DIFFERENTIAL TRAVEL --- .0004-.0020	-L288-	ONE PLACE (.0) ±.030 TWO PLACE (.00) ±.015 THREE PLACE (.000) ±.005 ANGLES ±
OVERTRAVEL --- .219 MIN	-L299- 16A 250V ~ T85 5E4 -L306-	WEIGHT .105 LB

BZ-2RQ1-P4
 PAGE 1 OF 1
M
 DRAWING NUMBER
 ISSUE 9
 REVISIONS:
 A CO17410 RJW 15 AUG 64
 B CO58594 KEW 18 MAR 86
 C CO-73287-9 JAT 20 OCT 93
 D CO-75367B JAT 3 MAR 94
 E CO-77863 GJW 6 MAY 96
 F CO-82133 CSL 30 JUL 96
 G CO93346 DLT 10 SEP 98
 CHECK 14 SEPT 94
 CHECK 15 AUG 64
 DRAWN RJW 15 AUG 64
 FORMTEK FC-50376