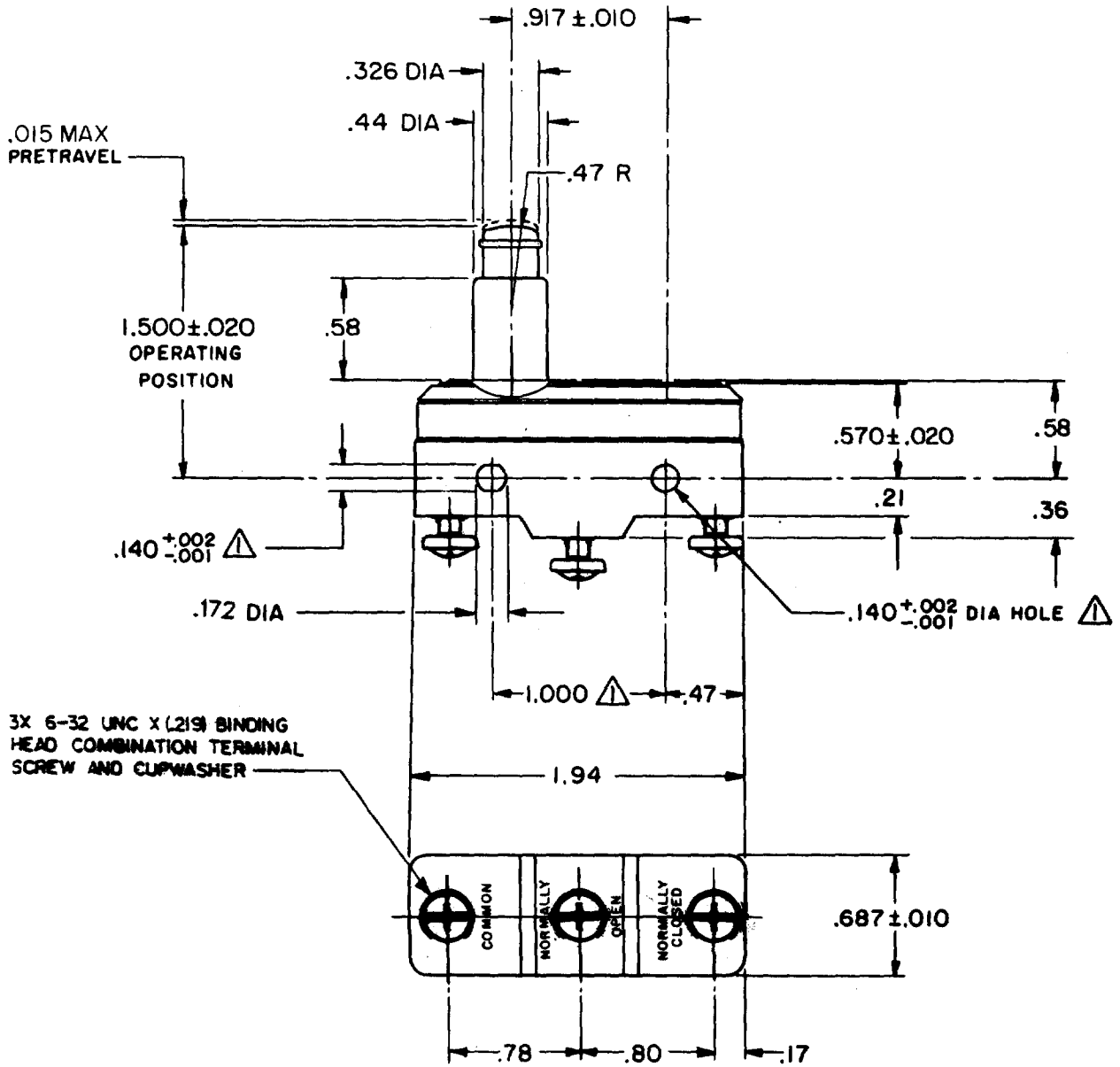


BZ-2RQ-A2
 PAGE 1 OF 1
M
 DRAWING NUMBER
 6
 ISSUE
 REVISIONS
 A CO17410
 O M W
 22 FEB 65
 B CO-
 73287-D
 K D R
 8 JULY 93
 C CO-
 77589
 K D R
 29 MAR 94
 D CO93346
 DLT
 10 SEP 98
 E 0015139
 TSG
 23 AUG 05
 CHECK
 L S D
 I A N N A Y G
 65
 FEB 22
 DRAWN
 O M W
 FO-50376
 FORMTEK



NOTE
 ▲ - MOUNTING HOLES WILL ACCEPT PINS OR SCREWS OF .139 MAX DIA ON 1.000 ± .002 CENTERS

THIS DRAWING COVERS A PROPRIETARY ITEM AND IS THE PROPERTY OF MICRO SWITCH, A DIVISION OF HONEYWELL. THIS DRAWING IS NOT TO BE COPIED OR USED WITHOUT THE APPROVAL OF MICRO SWITCH.

CHARACTERISTICS	ELECTRICAL DATA	SCALE FULL
OPERATING FORCE - - - - - 9-13 OZ	CONTACT ARRANGEMENT S P D T	DO NOT SCALE PRINT
RELEASE FORCE - - - - - 4 OZ MIN	- L96- 15 A-125, 250, OR 480 VAC	UNLESS OTHERWISE NOTED
DIFFERENTIAL TRAVEL - - - .0004-.0020	1/2 A-125 VDC; 1/4 A-250 VDC	DIMENSIONS ARE IN INCHES
OVERTRAVEL - - - - - .219 MIN	1/8 HP-125 VAC; 1/4 HP-250 VAC	TOLERANCES ARE:
	-L288- CE EN05	ONE PLACE (.0) ±.030
	-L306- EC	TWO PLACE (.00) ±.015
	-L315- 16A 250V ~ T85 5E4	THREE PLACE (.000) ±.005
		ANGLES ±
		WEIGHT .086 LB