



MICRO SWITCH
 FREEPORT ILLINOIS
 A DIVISION OF HONEYWELL
 FED. MFG. CODE 91929

SWITCH - BASIC

CATALOG LISTING
BZ - 2RL - P4

AJH5000

BZ - 2RL - P4

PAGE 1 OF 1

M

DRAWING NUMBER

7

ISSUE

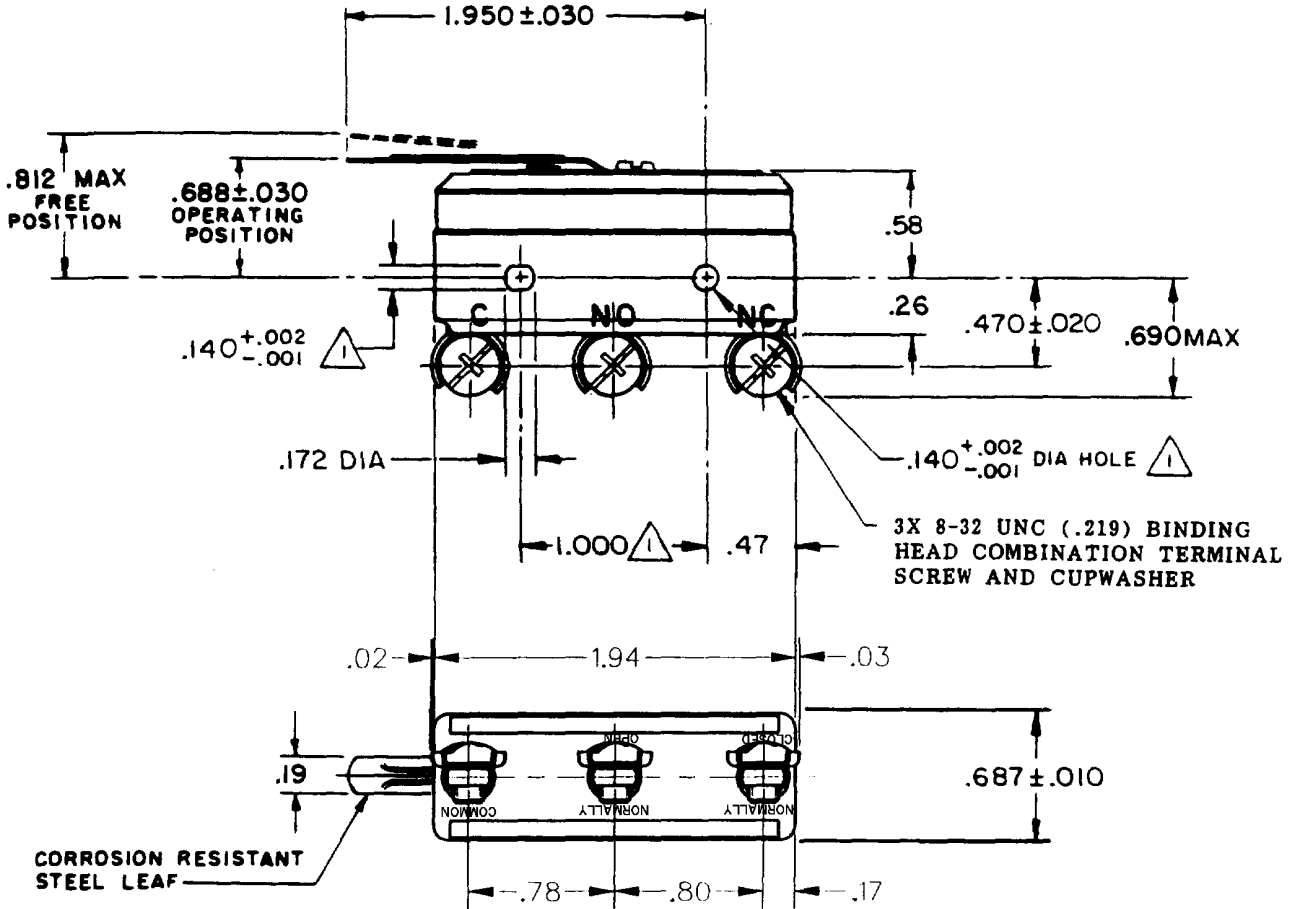
REPLACE

RELEASE NO.

CHECK

REVISIONS

A	CO18851	18 JAN 06
B	CO-73287	9 MARCH 63
C	CO-75367B	20 OCT 93
D	CO-77863	3 MAR 94
E	CO93346	3 MAY 96
F	0018004	18 JAN 06



NOTE
 △ MOUNTING HOLES WILL ACCEPT PINS OR SCREWS OF .139 MAX DIA ON 1.000 ± .002 CENTERS

THIS DRAWING COVERS A PROPRIETARY ITEM AND IS THE PROPERTY OF MICRO SWITCH, A DIVISION OF MINNEAPOLIS-HONEYWELL REGULATOR CO. THIS DRAWING IS NOT TO BE COPIED OR USED WITHOUT THE APPROVAL OF MICRO SWITCH.

CHARACTERISTICS	ELECTRICAL DATA	SCALE FULL
OPERATING FORCE ----- 5 OZ MAX	CONTACT ARRANGEMENT S P D T	DO NOT SCALE PRINT
RELEASE FORCE ----- 1/2 OZ MIN	-L96- 15 A - 125, 250, OR 480 VAC 1/2 A - 125 VDC; 1/4 A - 250 VDC 1/8 HP - 125 VAC, 1/4 HP - 250 VAC 	UNLESS OTHERWISE SPECIFIED DIMENSIONS ARE IN INCHES
DIFFERENTIAL TRAVEL ----- .050 MAX		TOLERANCES ARE:
DO NOT OVERTRAVEL MORE THAN ----- .062		ONE PLACE (.0) ± .030 TWO PLACE (.00) ± .015 THREE PLACE (.000) ± .005 ANGLES ±
	-L288- -L306- -L315-	WEIGHT .063 LB

FORMTEK

FO-90378

DRAWN

G C H 8 MARCH 63 CHECK DAW 23 APR 63 CHECK RJ