

**MICRO SWITCH**  
a Honeywell Division

FED. MFG. CODE 91929

SWITCH - BASIC

CATALOG LISTING

BZ-2RDS5551-A2

CATALOG LISTING  
BZ-2RDS5551-A2

PAGE 1 OF 1

ISSUE 7

RELEASE NO. PR-1011

CHECK

REPLACES

REVISIONS

A C083108  
J A F  
5 JUN 96

B C093346  
D L T  
9 SEP 98

CHECK

CHECK

CHECK

CHECK

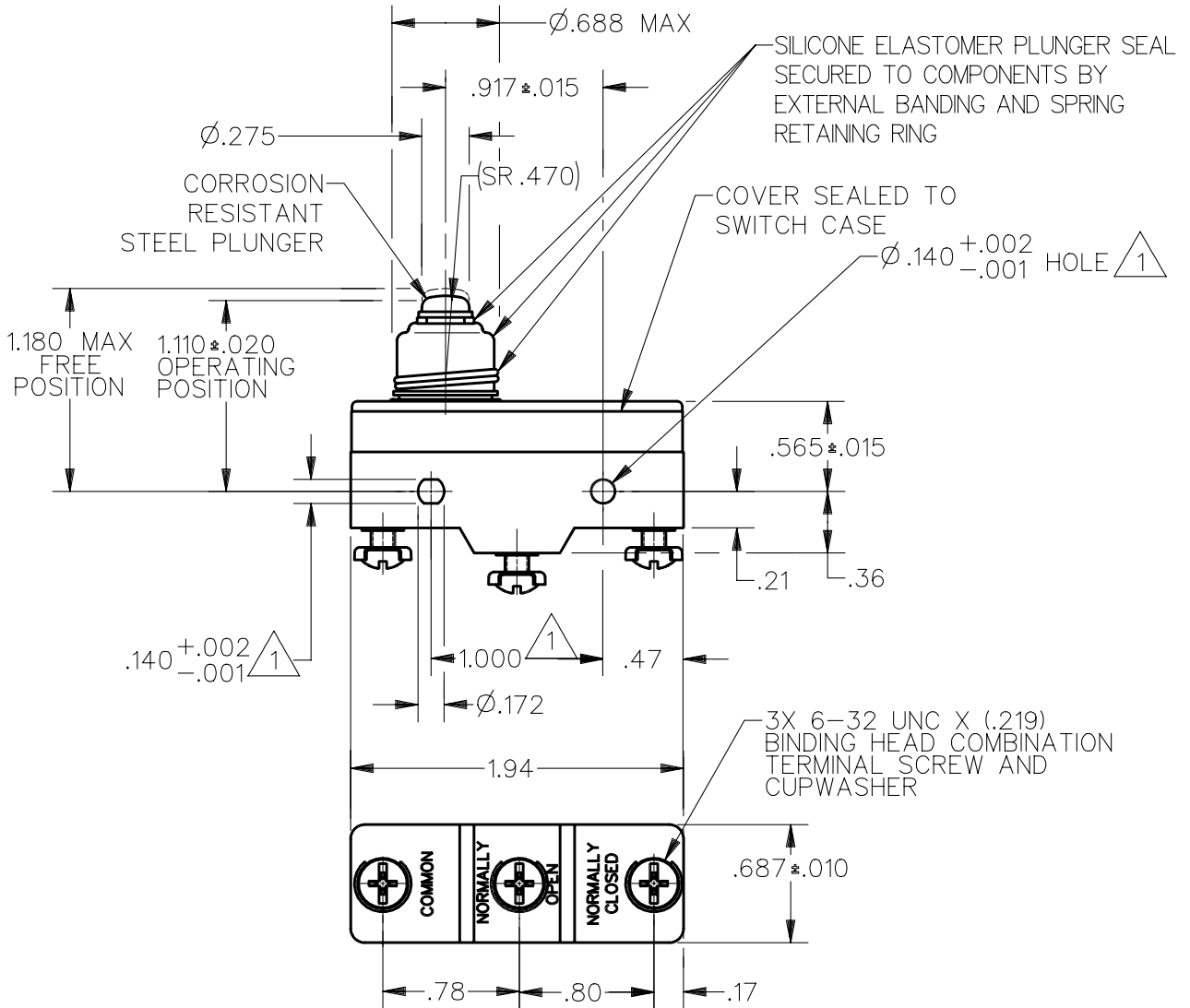
CHECK

CHECK

CHECK

CHECK

CHECK



NOTES

- ① MOUNTING HOLES WILL ACCEPT PINS OR SCREWS OF  $\phi$ .139 MAX ON 1.000 $\pm$ .002 CENTERS
- 2 - SEALED CONSTRUCTION PROVIDES SPLASH RESISTANCE

ANSI Y14.5M-1982 APPLIES

THIS DRAWING COVERS A PROPRIETARY ITEM AND IS THE PROPERTY OF MICRO SWITCH, A DIVISION OF HONEYWELL. THIS DRAWING IS NOT TO BE COPIED OR USED WITHOUT THE APPROVAL OF MICRO SWITCH.

THIRD ANGLE PROJECTION



CHARACTERISTICS	ELECTRICAL DATA	SCALE FULL	DO NOT SCALE PRINT
OPERATING FORCE - - - - - 13-19 OZ	CONTACT ARRANGEMENT S P D T	<b>UNLESS OTHERWISE SPECIFIED TOLERANCES ARE</b> ONE PLACE (.0) $\pm$ .030 TWO PLACE (.00) $\pm$ .015 THREE PLACE (.000) $\pm$ .005 ANGLES $\pm$ WEIGHT .085 LB	
RELEASE FORCE - - - - - 4 OZ MIN	L96		
DIFFERENTIAL TRAVEL - - .0004-.0025	15A 125, <u>250</u> OR 480 VAC		
OVERTRAVEL - - - - - .060 MIN	1/8HP 125 VAC, 1/4HP <u>250</u> VAC		
	1/2A 125 VDC, 1/4A 250 VDC		
	L288		
	L299 16A 250V $\sim$ T85 5E4		
	L306		

DDM/CAD  
DRAWN  
J A F 5 JUN 96