

# MICRO SWITCH

FREEPORT ILLINOIS, U.S.A  
A DIVISION OF HONEYWELL  
FED. MFG. CODE 91929

# SWITCH-BASIC

CATALOG LISTING  
**BA-2RV-A4**

**ABN7506**

BA-2RV-A4

PAGE 1 OF 1

REPLACES

RELEASE NO. PR-6975

**M**

DRAWING NUMBER

6

ISSUE

REVISIONS

A	CO	91554	19 JULY 82
B	TSX	73247-G	20 OCT 93
C	CO	77588	29 MAR 94
D	CO	093346	

DLT

26 AUG 98

E

0018387

TSC

18 JAN 06

CHECK

18 JAN 06

RJ

14 FEB 78

CHECK

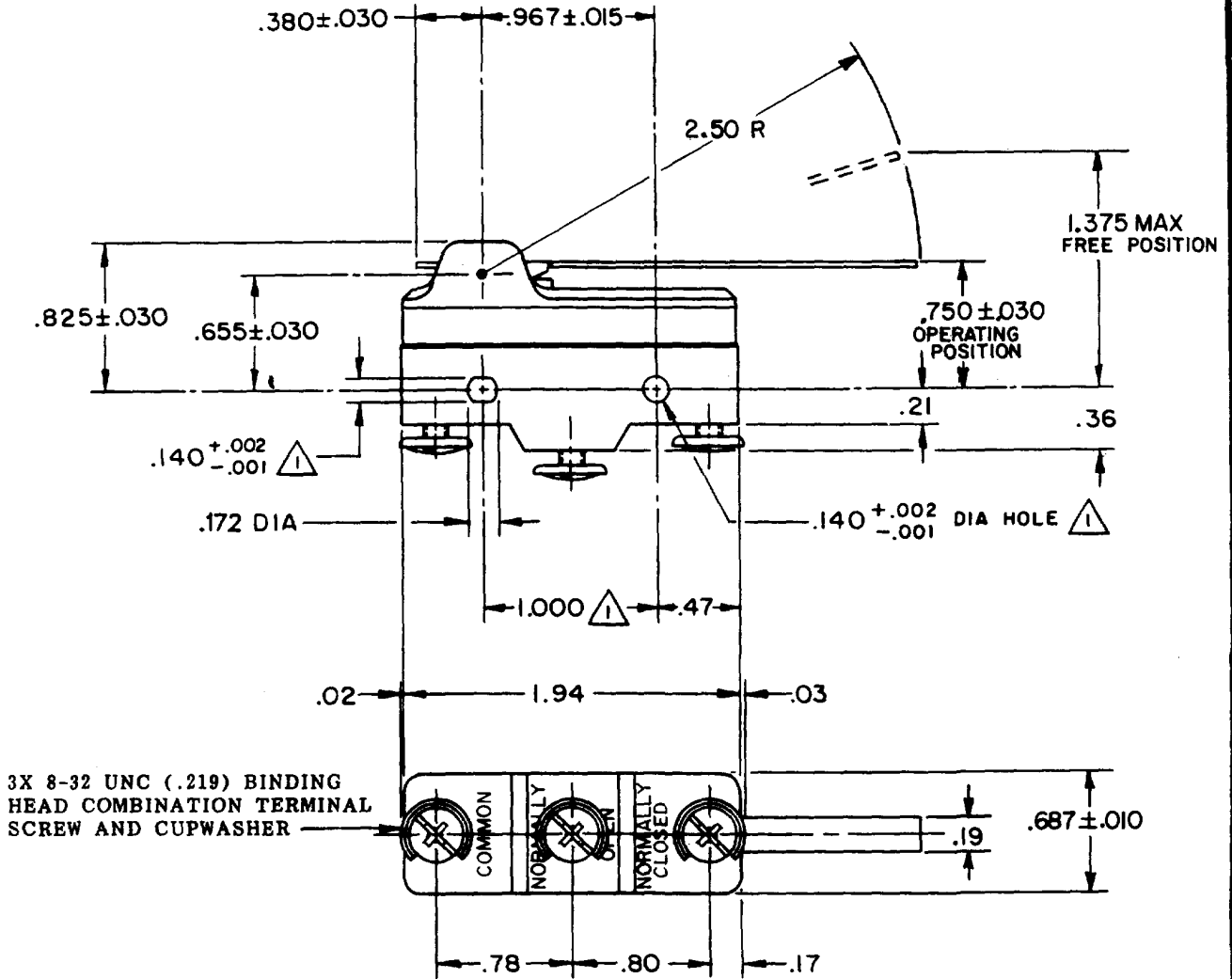
14 FEB 78

CHECK

14 FEB 78

CHECK

14 FEB 78

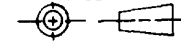


3X 8-32 UNC (.219) BINDING HEAD COMBINATION TERMINAL SCREW AND CUPWASHER

**NOTE**  
 MOUNTING HOLES WILL ACCEPT PINS OR SCREWS OF .139 MAX DIA ON 1.000 CENTERS

THIS DRAWING COVERS A PROPRIETARY ITEM AND IS THE PROPERTY OF MICRO SWITCH, A DIVISION OF HONEYWELL. THIS DRAWING IS NOT TO BE COPIED OR USED WITHOUT THE APPROVAL OF MICRO SWITCH.

THIRD ANGLE PROJECTION



**CHARACTERISTICS**

OPERATING FORCE --- 2 1/2 OZ MAX  
 RELEASE FORCE --- 1/2 OZ MIN  
 PRETRAVEL --- .625 MAX  
 DIFFERENTIAL TRAVEL --- .109 MAX  
 OVERTRAVEL --- .078 MIN

**ELECTRICAL DATA**

CONTACT ARRANGEMENT  
**S P D T**  
 CODE L23  
 20A-125, 250 OR 480 VAC; 10A-125 VAC "L"  
 1HP-125 VAC; 2HP-250 VAC  
 1/2A-125 VDC; 1/4A-250 VDC  
 L288  
 L308  
 L315  
  
 20(3)A 250V ~ T85 5E4

**SCALE FULL**

DO NOT SCALE PRINT

**TOLERANCES**  
 APPLY TO DESIGN UNITS. CONVERSIONS ARE ONLY FOR REFERENCE. UNLESS NOTED TOLERANCES ARE ±

	DIM. mm	TOL. mm/in	DIM. in	TOL. mm/in
NO PLACES	X	1/64	X	0.87/03
ONE PLACE	X,X	0.4/016	X,X	0.387/015
TWO PLACES	X,X,X	0.157/006	X,X,X	0.137/005
THREE PLACES	X,X,X,X		X,X,X,X	

DESIGN UNITS  METRIC  US CUSTOMARY

WEIGHT

FORMTEK

FO-52848-A

DRAWN

CHECK

13 FEB 78

CHECK

13 FEB 78

CHECK

13 FEB 78