

MICRO SWITCH

FREERPORT ILLINOIS, U.S.A
A DIVISION OF HONEYWELL

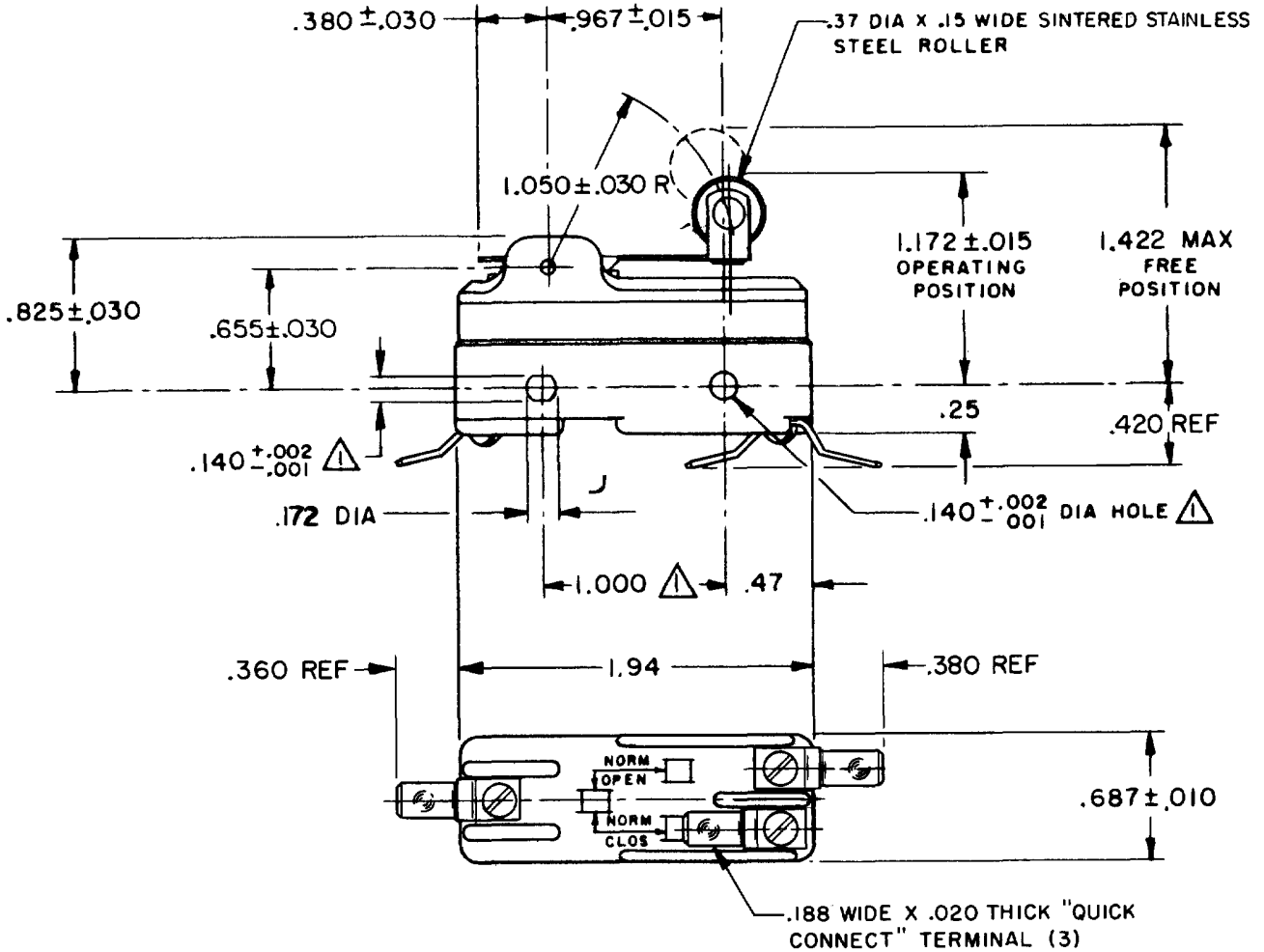
FED. MFG. CODE 91929

SWITCH - BASIC

CATALOG LISTING

BA-2RV22-D81

ABQ1520



NOTE
 ▲ MOUNTING HOLES WILL ACCEPT PINS OR SCREWS OF .139 MAX DIA ON 1.000 ±.002 CENTERS.

THIS DRAWING COVERS A PROPRIETARY ITEM AND IS THE PROPERTY OF MICRO SWITCH, A DIVISION OF HONEYWELL. THIS DRAWING IS NOT TO BE COPIED OR USED WITHOUT THE APPROVAL OF MICRO SWITCH.

CHARACTERISTICS	ELECTRICAL DATA	SCALE FULL
OPERATING FORCE-----6 OZ MAX	CONTACT ARRANGEMENT S P D T	DO NOT SCALE PRINT
RELEASE FORCE-----1/2 OZ MIN	-L23- 20A-125, 250 OR 480 VAC; 10A-125 VAC "L" 1HP-125 VAC; 2HP-250 VAC 1/2A-125 VDC; 1/4A-250 VDC CE 20(3)A 250V ~ T85 5E4	UNLESS OTHERWISE NOTED
PRETRAVEL-----.250 MAX		DIMENSIONS ARE IN INCHES
DIFFERENTIAL TRAVEL-----.045 MAX		TOLERANCES ARE:
OVERTRAVEL-----.030 MIN		ONE PLACE (.0) ±.030 TWO PLACE (.00) ±.015 THREE PLACE (.000) ±.005 ANGLES ±
		WEIGHT .060 LB

BA-2RV22-D81
 PAGE 1 OF 1
 DRAWING NUMBER
 ISSUE 9
 18 JAN 06
 RELEASE NO. PR-2557
 CHECK
 REVISIONS
 A PR-2557 7 APRIL 72
 B CO-7084-G 7 MAR 92
 C CO-72397 30 APR 92
 D CO-75204B 1 FEB 94
 E CO-77590 10 JUN 94
 F C093346 26 AUG 98
 G CO-94212-C 20 SEP 99
 H 0018387 18 JAN 06
 CHECK
 DRAWN
 OMW 2 FEB 72
 FORMTEK
 FO-50378-1A