

**BA-2RV136-A2**  
 PAGE 1 OF 1

**M**  
 DRAWING NUMBER

9  
 ISSUE

| REVISIONS |                             |
|-----------|-----------------------------|
| A         | SR-12783<br>27 FEB 67       |
| B         | CO23200<br>SEPT 67          |
| C         | CO23559<br>ORD 19 DEC 67    |
| D         | CO26695<br>SRH 9 FEB 70     |
| E         | CO-73287-J<br>JAL 22 NOV 93 |
| F         | 77890<br>SAD 9 JUN 94       |
| G         | C093346<br>DLT 26 AUG 98    |
| H         | 0018387<br>TSG 18 JAN 06    |

REPLACES

RELEASE NO. SR-12753

CHECK

18 JAN 06

RJ

CHECK

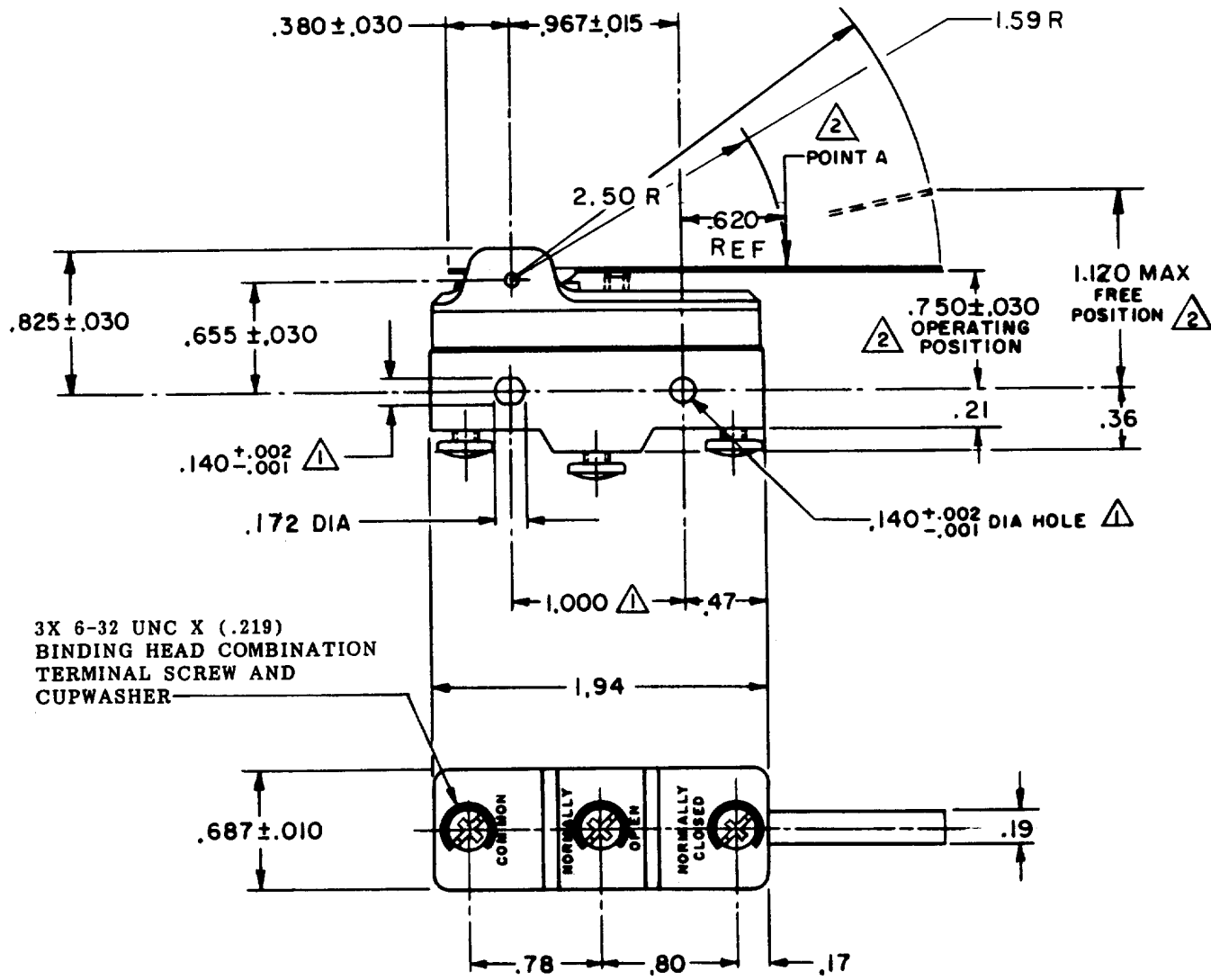
26 JAN '67

CHECK

26 JAN 67

DRAWN

M B F



3X 6-32 UNC X (.219)  
 BINDING HEAD COMBINATION  
 TERMINAL SCREW AND  
 CUPWASHER

**NOTE**  
 1 - MOUNTING HOLES WILL ACCEPT PINS OR SCREWS OF .139 MAX DIA ON 1.000 ± .002 CENTERS  
 2 - CHARACTERISTICS MEASURED AT POINT A

THIS DRAWING COVERS A PROPRIETARY ITEM AND IS THE PROPERTY OF MICRO SWITCH, A DIVISION OF HONEYWELL. THIS DRAWING IS NOT TO BE COPIED OR USED WITHOUT THE APPROVAL OF MICRO SWITCH.

| CHARACTERISTICS                  | ELECTRICAL DATA  | SCALE FULL   |
|----------------------------------|--|--|
| OPERATING FORCE ----- 8 OZ MAX   | CONTACT ARRANGEMENT<br>S P D T   | DO NOT SCALE PRINT   |
| RELEASE FORCE ----- 5 3/4 OZ MIN | L23 20A - 125, 250 OR 480 VAC<br>10A - 125 VAC "L"<br>1HP - 125 VAC, 2HP - 250 VAC<br>1/2A - 125 VDC, 1/4A - 250 VDC | UNLESS OTHERWISE NOTED<br>DIMENSIONS ARE IN INCHES<br><b>TOLERANCES ARE:</b> |
| PRETRAVEL ----- .400 MAX         | L288   | ONE PLACE (.0) ± .030  |
| DIFFERENTIAL TRAVEL --- .070 MAX | L308   | TWO PLACE (.00) ± .015   |
| OVERTRAVEL ----- .050 MIN        | L315   | THREE PLACE (.000) ± .005  |
|                                  | CE   | ANGLES ±   |
|                                  | 20(3)A 250V ~ T85 5E4  | WEIGHT .065 LB   |

FORMTEK  
 FO-50376