

MICRO SWITCH

A DIVISION OF MINNEAPOLIS-HONEYWELL REGULATOR COMPANY
 FREEPORT, MINNESOTA

FED. MFR. CODE 91929

SWITCH-BASIC

CATALOG LISTING

BA-2RL-A2

BA-2RL-A2
 ISSUE 1

BA-2RL-A2
 PAGE 1 OF 1

M

DRAWING
 NUMBER

7

ISSUE

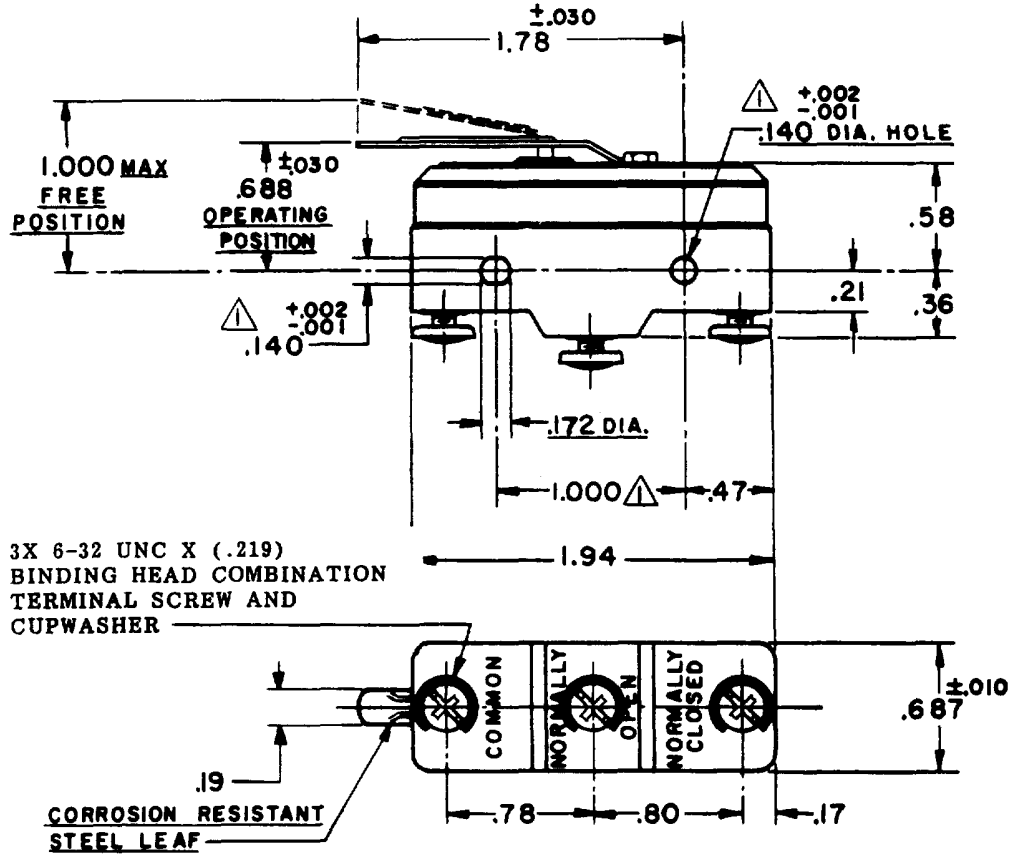
REPLACES

RELEASE NO.

CHECK

REVISIONS

A	CO 9800	RSD	26 FEB 59
B	CO 34309		
K	P K		17 JAN 78
C	CO-73287-J	JAL	22 NOV 93
D	CO 77590	SAD	8 JUN 94
E	CO-92159	CSL	21 JAN 98
F	CO 93346	DLT	25 AUG 98



NOTE
 ▲ MOUNTING HOLES WILL ACCEPT PINS OR SCREWS OF .139 MAX. DIA. ON 1.000±.002 CENTERS.

THIS DRAWING COVERS A PROPRIETARY ITEM AND IS THE PROPERTY OF MICRO SWITCH, A DIVISION OF MINNEAPOLIS-HONEYWELL REGULATOR CO. THIS DRAWING IS NOT TO BE COPIED OR USED WITHOUT THE APPROVAL OF MICRO SWITCH.

CHARACTERISTICS	ELECTRICAL DATA	SCALE FULL
OPERATING FORCE ----- 9 OZ MAX	CONTACT ARRANGEMENT S P D T	DO NOT SCALE PRINT
RELEASE FORCE ----- 1 OZ MIN	L23 20A 125, 250 OR 480 VAC 10A 125 VAC "L"	UNLESS OTHERWISE SPECIFIED DIMENSIONS ARE IN INCHES
DIFFERENTIAL TRAVEL ----- .062 MAX	1HP 125 VAC, 2HP 250 VAC 1/2A 125 VDC, 1/4A 250 VDC	TOLERANCES ARE:
DO NOT OVERTRAVEL MORE THAN ----- .062	L288 L299 L308 CE Ⓧ Ⓡ 20(3)A 250V ~ T85 5E4	ONE PLACE (.9) ±.030 TWO PLACE (.99) ±.018 THREE PLACE (.999) ±.008 ANGLES ±
		WEIGHT .063 LB.

FORMTEK

DRAWN
 R G D 25 FEB 59
 CHECK
 G C H 26 FEB 59