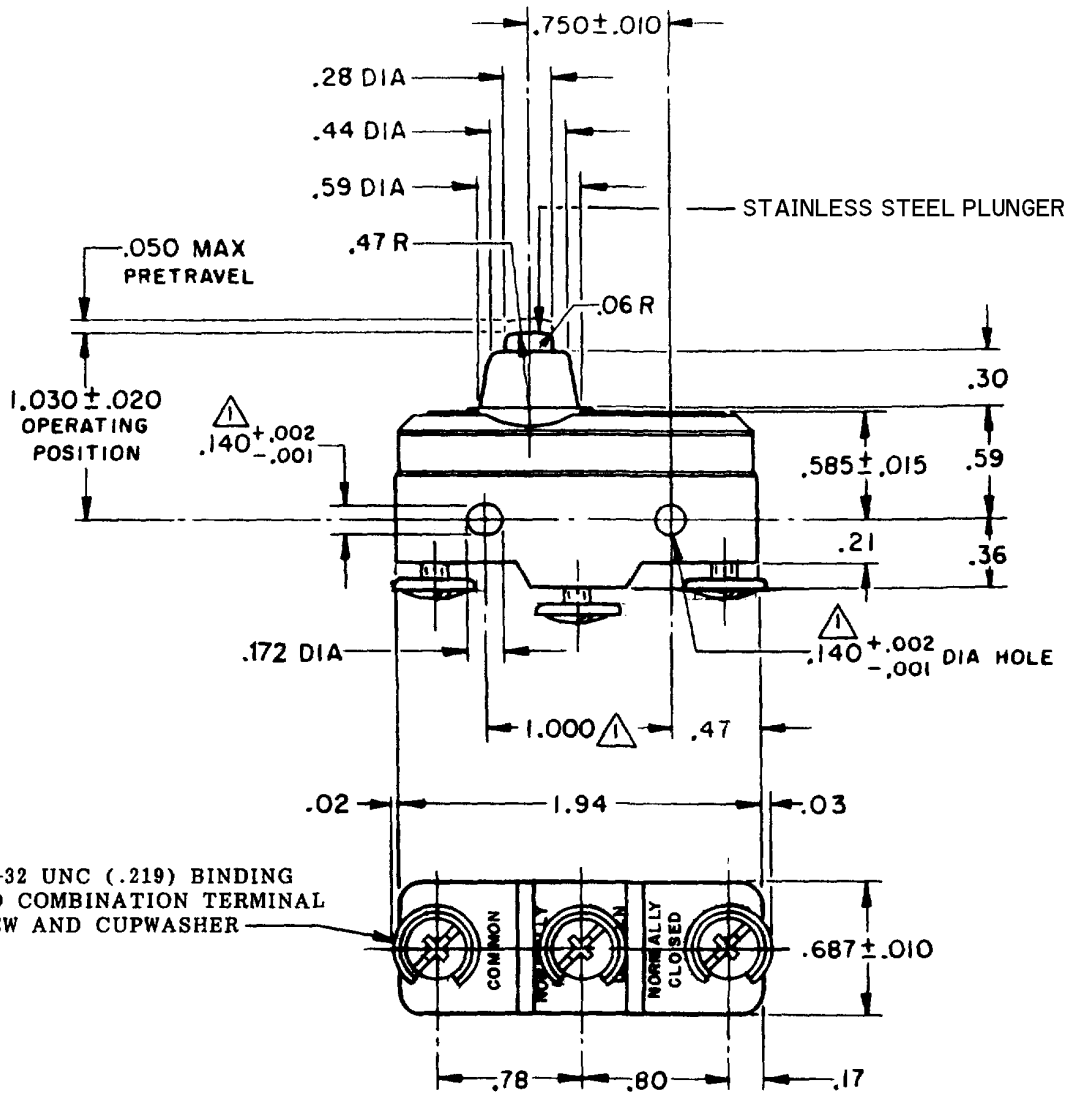


CATALOG LISTING
BA-2RB-A4
 PAGE 1 OF 1
 DRAWING NUMBER
M
 ISSUE
6
 REVISIONS
 A C034310
 20 DEC 78
 B 73287-G
 20 OCT 93
 C 77588
 K B R
 29 MAR 94
 D C093346
 DLT
 22 AUG 98
 E CO-95750-B
 29 MAR 00
 C S I
 29 MAR 00
 CHECK DAW 14 FEB 63
 CHECK DAW 14 FEB 63
 CHECK DAW 13 FEB 63
 FORMTEK
 FO-80378
 DRAWN
 MB F 13 FEB 63
 RELEASE NO. SR 10799
 REPLACES



3X 8-32 UNC (.219) BINDING HEAD COMBINATION TERMINAL SCREW AND CUPWASHER

NOTE
 ▲ MOUNTING HOLES WILL ACCEPT PINS OR SCREWS OF .139 MAX DIA ON 1.000 ± .002 CENTERS

THIS DRAWING COVERS A PROPRIETARY ITEM AND IS THE PROPERTY OF MICRO SWITCH, A DIVISION OF MINNEAPOLIS-HONEYWELL REGULATOR CO. THIS DRAWING IS NOT TO BE COPIED OR USED WITHOUT THE APPROVAL OF MICRO SWITCH.

CHARACTERISTICS	ELECTRICAL DATA	SCALE FULL
OPERATING FORCE — — — — 14 — 22 OZ	CONTACT ARRANGEMENT S P D T	DO NOT SCALE PRINT
RELEASE FORCE — — — — 10 OZ MIN	L23 UNDERWRITERS' LAB. INC. LISTED RATING 20A - 125, 250 OR 480 VAC 10A - 125 VAC "L" 1HP - 125 VAC, 2HP - 250 VAC 1/2A - 125 VDC, 1/4A - 250 VDC CE Ⓟ Ⓢ	UNLESS OTHERWISE SPECIFIED DIMENSIONS ARE IN INCHES
DIFFERENTIAL TRAVEL — — .0020 — .0075		TOLERANCES ARE: ONE PLACE (.0) ± .030 TWO PLACE (.00) ± .015 THREE PLACE (.000) ± .005 ANGLES ±
OVERTRAVEL — — — — .094 MIN		WEIGHT .064 LB
	L288 L299 L308	
	20(3)A 250V ~ T85 5E4	