



**MICRO SWITCH**  
 FREEPORT ILLINOIS  
 A DIVISION OF HONEYWELL  
 FED. MFG. CODE 91999

# SWITCH - BASIC

CATALOG LISTING  
**BA-2R-P4**

ABF7000

JG03288

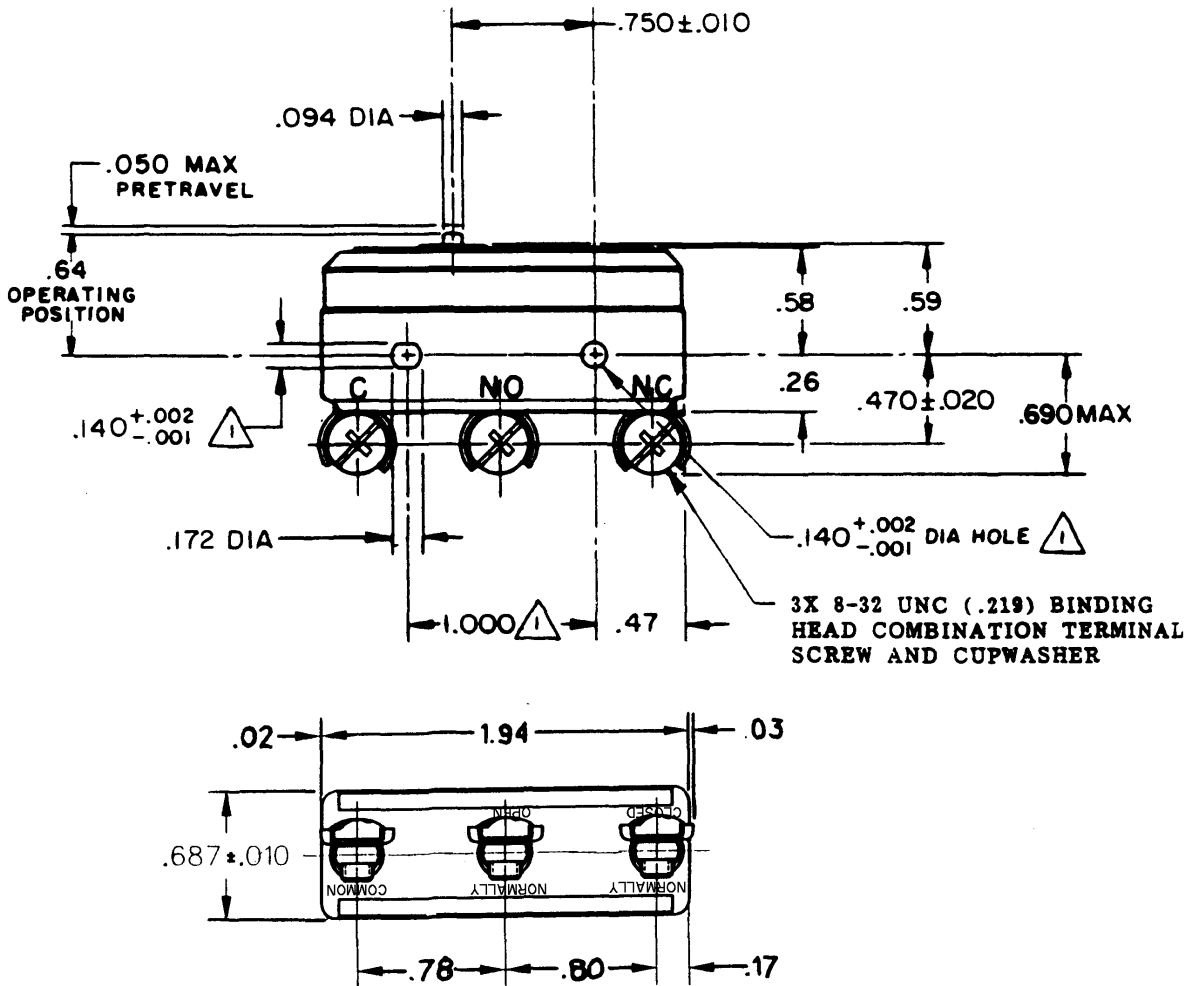
**MBA-2R-P4**  
 PAGE 1 OF 1

DRAWING NUMBER  
 ISSUE

REVISIONS  
 CHECK  
 DATE

A	CO16851	6 C H	16 FEB 63
B	75297-G	J A T	20 OCT 63
C	75367B	K D R	3 MAR 64
D	77863	G J W	29 APR 96
E	CO93346	D L T	21 AUG 98
F	0018656	N M	20 FEB 06

FORMTEK  
 FO-80378  
 DRAWN  
 G C H 16 FEB 63



THIS DRAWING COVERS A PROPRIETARY ITEM AND IS THE PROPERTY OF MICRO SWITCH, A DIVISION OF MINNEAPOLIS-HONEYWELL REGULATOR CO. THIS DRAWING IS NOT TO BE COPIED OR USED WITHOUT THE APPROVAL OF MICRO SWITCH.

CHARACTERISTICS	ELECTRICAL DATA	SCALE FULL
OPERATING FORCE ----- 14 - 22 OZ	CONTACT ARRANGEMENT S P D T	DO NOT SCALE PRINT
RELEASE FORCE ----- 10 OZ MIN	-L23- 20A-125, 250, OR 490 VAC 10A-125 VAC "L"	UNLESS OTHERWISE SPECIFIED DIMENSIONS ARE IN INCHES
DIFFERENTIAL TRAVEL ----- .0020-.0075	1 MP-125 VAC; 2 MP-250 VAC	<b>TOLERANCES ARE:</b>
OVERTRAVEL ----- .010 MIN	1/2 A-125 VDC; 1/4 A-250 VDC	ONE PLACE (.0) ±.030 TWO PLACE (.00) ±.015 THREE PLACE (.000) ±.005 ANGLES
	-L288- -L308- -L315- 20(3)A 250V ~ T85 5E4	WEIGHT .074 LB