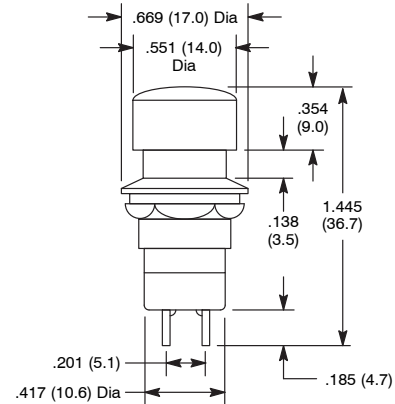


Pushbutton, Single Pole



| NTE Type No. | Circuitry | Action | | Actuator | | Diag No. |
|--------------|-----------|--------|----|-----------|-------|----------|
| | | | | Material | Color | |
| 54-392 | SPST | OFF | ON | ABS Resin | White | S75 |

S75



Specifications

Current Rating: 3A 250VAC
Insulation Resistance: 100 Megohms (min.)
Dielectric Strength: 1500V RMS (min.)
Temperature Rating: +14° to +131°F (-10° to +55°C)
Electrical Life: 10,000 cycles
Mechanical Life: 30,000 cycles
Terminal Type: Solder Lug
Mounting Hole: .480 (12.2)

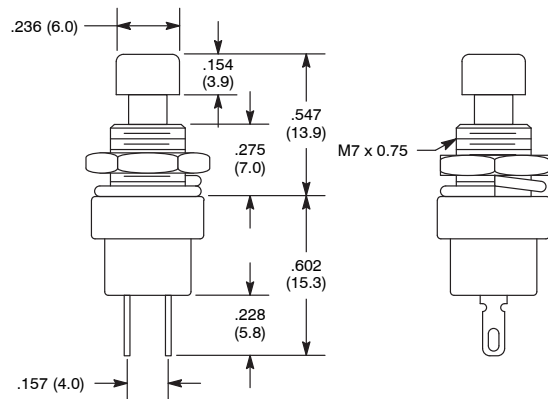
Pushbutton, Single Pole



| NTE Type No. | Circuitry | Action | | Actuator | | Diag No. |
|--------------|-----------|--------|------|----------|-------|----------|
| | | | | Material | Color | |
| 54-394 | SPST | OFF | (ON) | Nylon | Red | S88 |

SPECIAL NOTE: () = Momentary Function

S88



Specifications

Current Rating: 3A 250VAC, 1.5A 250VAC
Insulation Resistance: 100 Megohms (min.) at 500VDC
Dielectric Strength: 1000V RMS (min.)
Temperature Rating: -4° to +149°F (-20° to +65°C)
Electrical Life: 6000 cycles (min.)
Mechanical Life: 100,000 cycles (min.)
Terminal Type: Solder Lug
Mounting Hole: .275 (7.0)