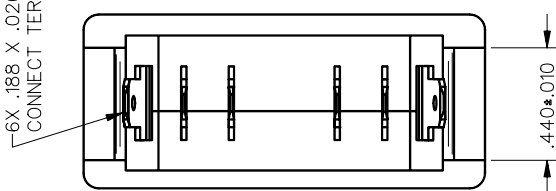
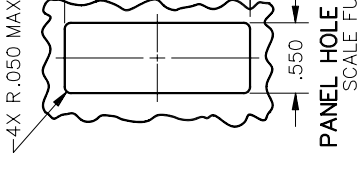
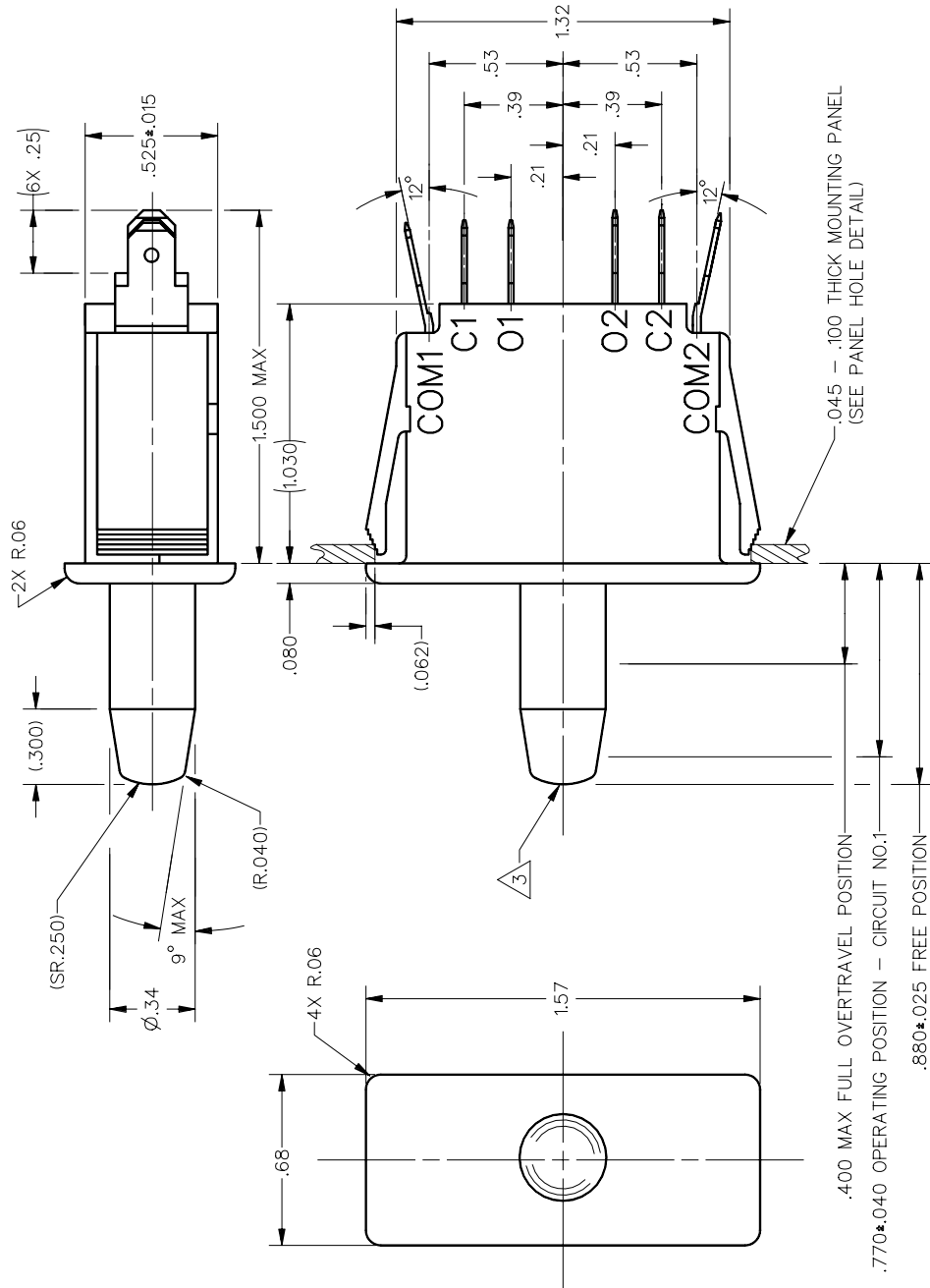


MICRO SWITCH
a Honeywell Division
FED. MFG. CODE 91929

SWITCH - BASIC

CATALOG LISTING
2DM4



<p>THIS DRAWING COVERS A PROPRIETARY ITEM AND IS THE PROPERTY OF MICRO SWITCH, A DIVISION OF HONEYWELL. THIS DRAWING IS NOT TO BE COPIED OR USED WITHOUT THE APPROVAL OF MICRO SWITCH.</p>		<p>THIRD ANGLE PROJECTION</p>
<p>CHARACTERISTICS</p> <p>OPERATING FORCE — 24 OZ MAX (TO OPERATE BOTH CIRCUITS)</p> <p>RELEASE FORCE — — — — — 6 OZ MIN (TO RELEASE BOTH CIRCUITS)</p> <p>DIFFERENTIAL TRAVEL — — .045 APPROX (EACH CIRCUIT)</p>		<p>SCALE 2 TO 1</p> <p>DO NOT SCALE PRINT</p> <p>UNLESS OTHERWISE SPECIFIED TOLERANCES ARE</p> <p>ONE PLACE (.01) ±.030</p> <p>TWO PLACE (.00) ±.015</p> <p>THREE PLACE (.000) ±.005</p> <p>ANGLES ± 5°</p> <p>WEIGHT</p>
<p>ELECTRICAL DATA</p> <p>CONTACT ARRANGEMENT</p> <p>D P D T</p> <p>L181</p> <p>10A 1/2HP 125, 250 OR 277 VAC</p>		<p>ANSI Y14.5M-1982 APPLIES</p>

- NOTES
- 1 - BLACK PLASTIC CASE AND PLUNGER
 - 2 - NOMINAL CUTOFF DIMENSION FOR PANELS BETWEEN .045 AND .100 SHOULD BE INTERPOLATED BETWEEN 1.445 AND 1.455
 - 3 - PUSH TO OPERATE - MOMENTARY

DHD
D/M/CAD
DRAWN
22 JUL 92

REPLACES
SR-10011

RELEASE NO. SR-10011

CHECK

CHECK

CHECK

ISSUE
13

REVISIONS
A 09-28
14-28
22 JUL 92