

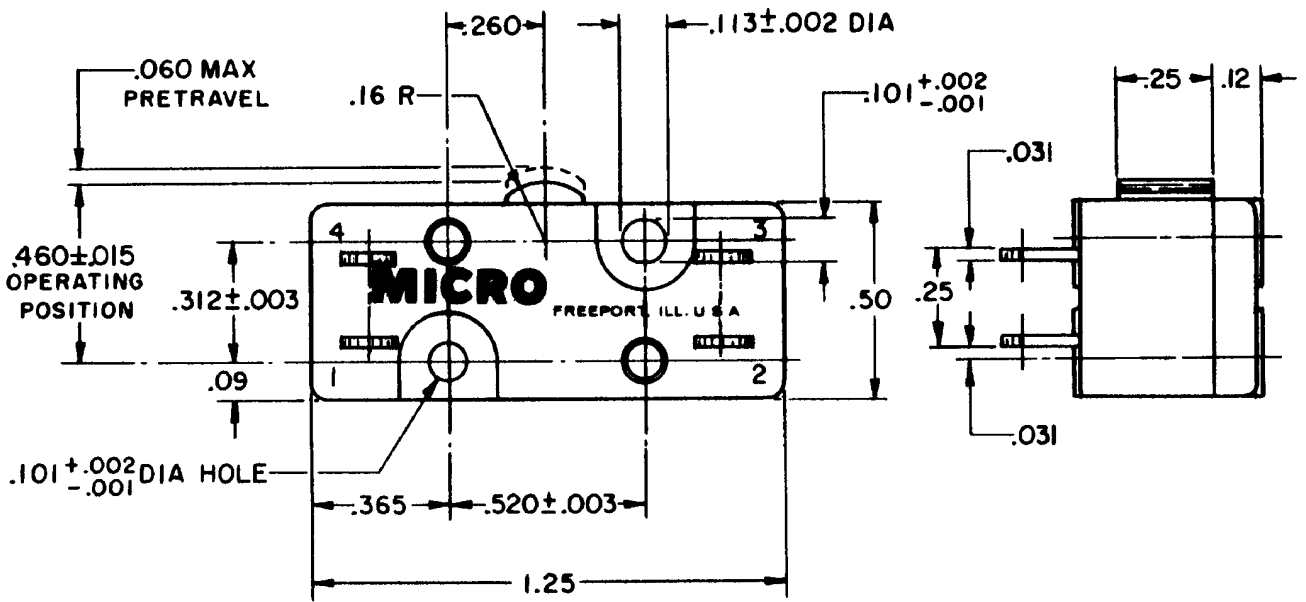
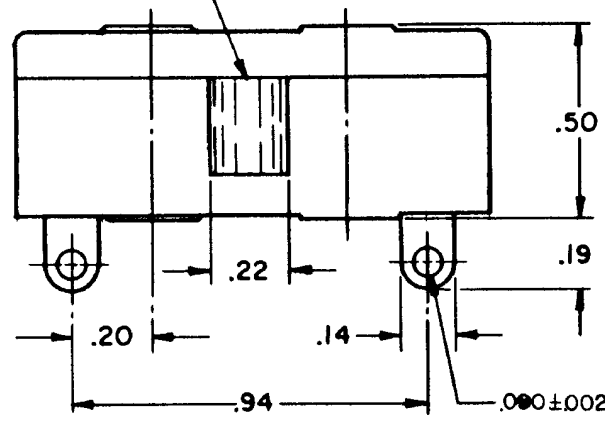
H MICRO SWITCH
 FREEPORT, ILLINOIS, U.S.A.
 A DIVISION OF HONEYWELL
 FED. MFG. CODE 91929

SWITCH-BASIC

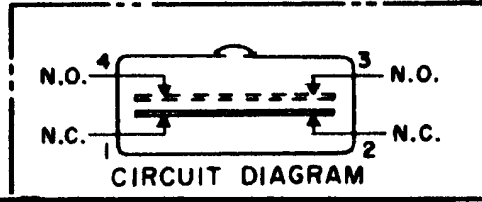
CATALOG LISTING
ITBI-3

ITBI-3
 M
 DRAWING NUMBER
 ISSUE
 REVISIONS
 A C021235 RLD MAR 66
 B C021553 M B F 10 JUN 66
 C C033498 D B W 14 MAY 74
 D C036022 R E R 29 OCT 73
 E C099824 10 2 1 96
 F C078226 DLT 17 OCT 94
 FC-30378
 DRAWN
 RLD 16 MAR 66
 CHECK
 LSD 16 MAR 66
 CHECK
 16 MAR 66
 REPLACES
 RELEASE NO.

BLACK PLASTIC PLUNGER



NOTE -
 1 - TERMINALS ARE PLATED FOR SOLDERING
 2 - TERMINALS 1 AND 2 NORMALLY CLOSED CIRCUIT
 3 - TERMINALS 3 AND 4 NORMALLY OPEN CIRCUIT



THIS DRAWING COVERS A PROPRIETARY ITEM AND IS THE PROPERTY OF MICRO SWITCH, A DIVISION OF HONEYWELL THIS DRAWING IS NOT TO BE COPIED OR USED WITHOUT THE APPROVAL OF MICRO SWITCH.

CHARACTERISTICS	ELECTRICAL DATA	SCALE 2 TO 1
OPERATING FORCE ----- 7-14 OZ	CONTACT ARRANGEMENT SEE DIAGRAM	DO NOT SCALE PRINT
RELEASE FORCE ----- 4 OZ MIN	L25 10A-125 OR 250 VAC 1/2HP-125 VAC RJG	UNLESS OTHERWISE NOTED DIMENSIONS ARE IN INCHES
DIFFERENTIAL TRAVEL ----- .010-.025		TOLERANCES ARE:
OVERTRAVEL ----- .010 MIN		ONE PLACE (.0) ±.030 TWO PLACE (.00) ±.015 THREE PLACE (.000) ±.005 ANGLES ±
		WEIGHT