

MICRO SWITCH
 A DIVISION OF MINNEAPOLIS HONEYWELL REGULATOR COMPANY
 FREEPORT ILLINOIS
 FED MFR. CODE 91929

SWITCH - BASIC

CATALOG LISTING
ITBI-1

(M) ITBI-1
 ISSUE 6

ITBI-1
 M
 DRAWING NUMBER
 ISSUE 6
 RELEASE NO. B20435

REPLACES

RELEASE NO.

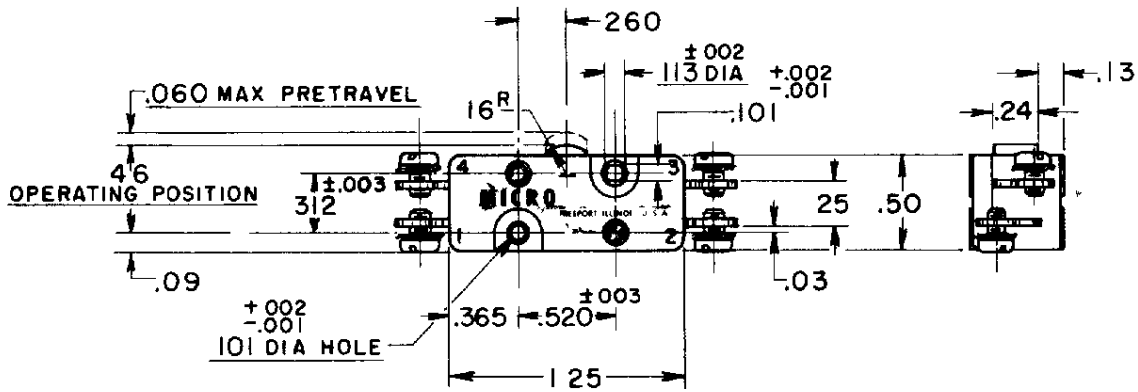
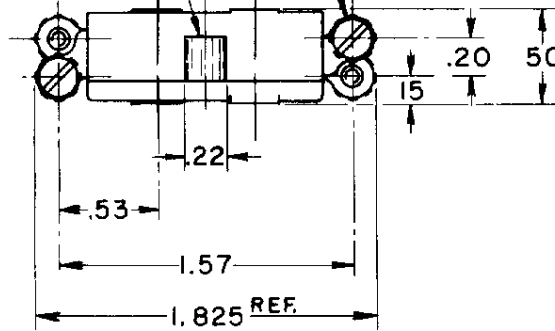
CHECK LNT

CHECK

CHECK

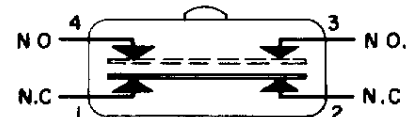
74-86
 R L Z. 27 JULY 55
 DRAWN

PLASTIC PLUNGER
 4-48 NF x .156^{REF} PAN HEAD TERMINAL SCREWS AND WASHERS (SEMS).



NOTE -
 1- TERMINALS 1 AND 2 NORMALLY CLOSED CIRCUIT
 2- TERMINALS 3 AND 4 NORMALLY OPEN CIRCUIT

THIS DRAWING COVERS A PROPRIETARY ITEM AND IS THE PROPERTY OF MICRO SWITCH A DIVISION OF HONEYWELL THIS DRAWING IS NOT TO BE COPIED OR USED WITHOUT THE APPROVAL OF MICRO SWITCH



CIRCUIT DIAGRAM

CHARACTERISTICS		ELECTRICAL DATA		SCALE FULL	
OPERATING FORCE	7 - 14 OZ	CONTACT ARRANGEMENT	SEE CIRCUIT DIAGRAM	DO NOT SCALE PRINT	
RELEASE FORCE	4 OZ. MIN.	L25 10A - 125 OR 250 VAC 1/2HP - 125 VAC 		UNLESS OTHERWISE SPECIFIED	
DIFFERENTIAL TRAVEL	.010 - .025			DIMENSIONS ARE IN INCHES	
OVERTRAVEL	.010 MIN.			TOLERANCES ARE: ONE PLACE (.0) ±.030 TWO PLACE (.00) ±.015 THREE PLACE (.000) ±.005 ANGLES ±	
				WEIGHT	