

MICRO SWITCH

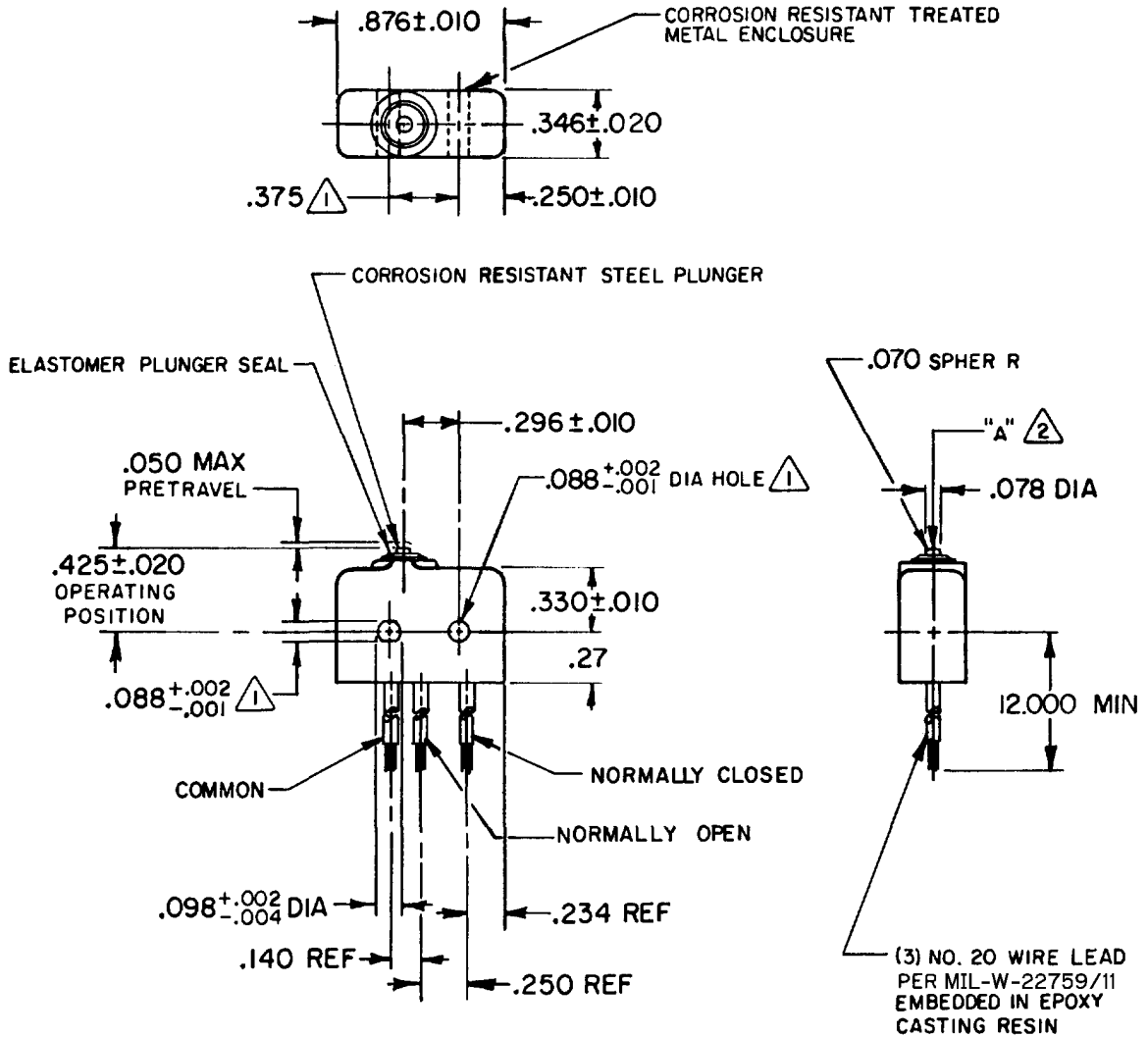
FREERPORT ILLINOIS, U.S.A
A DIVISION OF HONEYWELL
FED. MFG. CODE 91929

SWITCH - BASIC

CATALOG LISTING

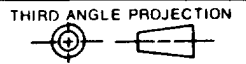
ISE 7

ISE 7
 PAGE 10F 1
 M
 DRAWING NUMBER
 86
 ISSUE
 7
 RELEASE NO. PR-2961
 CHECK
 REVISIONS
 A CO 51463
 G J W
 14 JUL 82
 B C057041A
 C J H
 21 MAR 85
 C C094274
 D L M
 MAR 99
 CHECK
 G J W 14 JUL 82
 FORMTEK
 FO-32848-A
 DRAWN
 G J W 14 JUL 82



- NOTES**
- 1 MOUNTING HOLES WILL ACCEPT .087 MAX DIA PINS OR SCREWS ON .375±.002 CENTERS
 - 2 ACTUATION IN LINE WITH ARROW "A" IS RECOMMENDED
 - 3 WEIGHT OF SWITCH ONLY IS .26 OZ MAX WEIGHT OF SWITCH WITH WIRE LEADS IN .65 OZ MAX
 - 4 BASIC SWITCH HAS 24K SOLID GOLD CONTACT MATERIAL

THIS DRAWING COVERS A PROPRIETARY ITEM AND IS THE PROPERTY OF MICRO SWITCH, A DIVISION OF HONEYWELL. THIS DRAWING IS NOT TO BE COPIED OR USED WITHOUT THE APPROVAL OF MICRO SWITCH.



| CHARACTERISTICS | |
|---------------------|----------|
| OPERATING FORCE | 5-17 OZ |
| RELEASE FORCE | 4 OZ MIN |
| RELEASE TRAVEL | .004 MIN |
| DIFFERENTIAL TRAVEL | .004 MAX |
| OVERTRAVEL | .003 MIN |

| ELECTRICAL DATA | |
|--------------------------------|--|
| CONTACT ARRANGEMENT S P D T | |
| 10 VDC | 0.5 AMP |
| 30 VOLTS DC RATING | |
| INDUCTIVE | SEA LEVEL - 1/2 AMP 50,000 FT - 1/2 AMP |
| RESISTIVE | SEA LEVEL - 1 AMP 50,000 FT - 1 AMP |
| MAXIMUM INRUSH | 2 AMP |

| SCALE FULL | | | |
|---|-------|--------------------------|-------------------------------------|
| DO NOT SCALE PRINT | | | |
| TOLERANCES APPLY TO DESIGN UNITS. CONVERSIONS ARE ONLY FOR REFERENCE. UNLESS NOTED, TOLERANCES ARE ± | | | |
| DIM. | TOL. | DIM. | TOL. |
| mm | mm/in | in | mm/in |
| NO PLACES | X | 1/100 | |
| ONE PLACE | X,X | 0.01/0.18 | X,X |
| TWO PLACES | X,XX | 0.18/0.008 | X,XX |
| THREE PLACES | X,XXX | | X,XXX |
| ANGLES | | | |
| DESIGN UNITS | | SI METRIC | US CUSTOMARY |
| | | <input type="checkbox"/> | <input checked="" type="checkbox"/> |
| WEIGHT | | 3 | |