

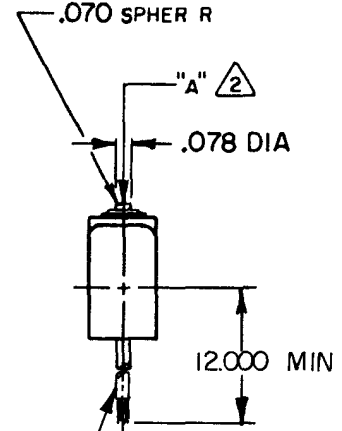
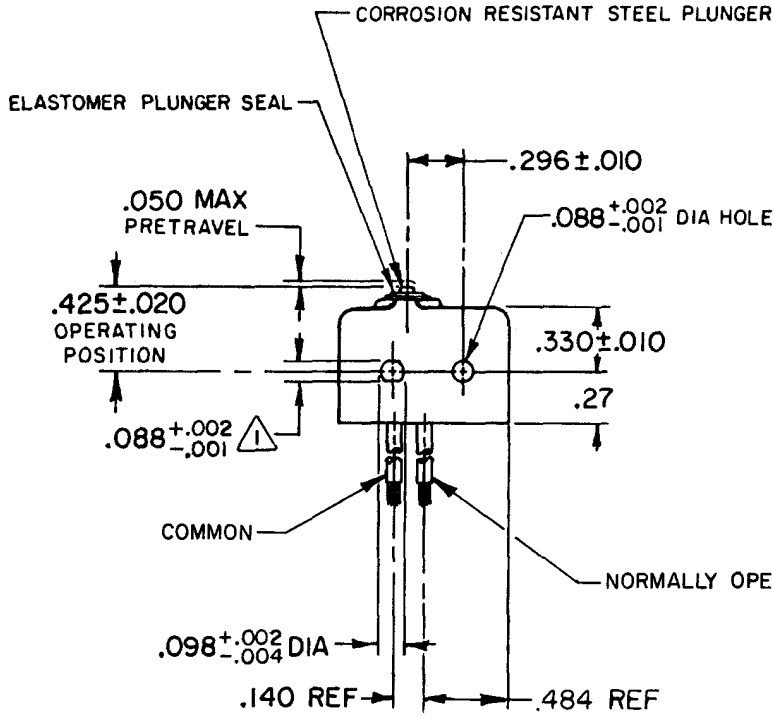
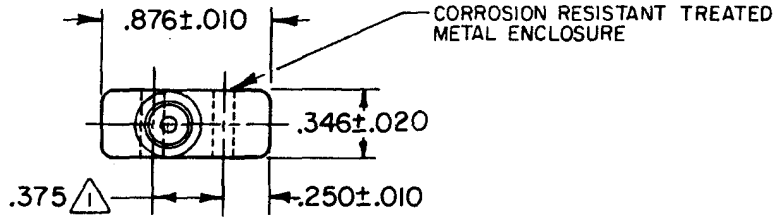
# MICRO SWITCH

FREEPORT ILLINOIS, U.S.A  
A DIVISION OF HONEYWELL  
FED. MFG. CODE 91929

# SWITCH - BASIC

CATALOG LISTING

# 1 S E 3

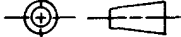


### NOTES

- 1 MOUNTING HOLES WILL ACCEPT .087 MAX DIA PINS OR SCREWS ON .375±.002 CENTERS
- 2 ACTUATION IN LINE WITH ARROW "A" IS RECOMMENDED
- 3 WEIGHT OF SWITCH ONLY IS .26 OZ MAX WEIGHT OF SWITCH WITH WIRE LEADS IN .51 OZ MAX

THIS DRAWING COVERS A PROPRIETARY ITEM AND IS THE PROPERTY OF MICRO SWITCH, A DIVISION OF HONEYWELL. THIS DRAWING IS NOT TO BE COPIED OR USED WITHOUT THE APPROVAL OF MICRO SWITCH.

THIRD ANGLE PROJECTION



### CHARACTERISTICS

OPERATING FORCE -----5-17 OZ  
RELEASE FORCE -----4 OZ MIN  
RELEASE TRAVEL -----.004 MIN  
DIFFERENTIAL TRAVEL -----.004 MAX  
OVERTRAVEL -----.003 MIN

### ELECTRICAL DATA

CONTACT ARRANGEMENT  
S P N O  
250 VAC -----5 AMP  
30 VOLTS DC RATING  
INDUCTIVE -----SEA LEVEL-- 3 AMP  
50,000 FT -- 2.5 AMP  
RESISTIVE -----SEA LEVEL-- 5 AMP  
50,000 FT -- 5 AMP  
MAXIMUM INRUSH -----24 AMP

SCALE FULL

DO NOT SCALE PRINT

### TOLERANCES

APPLY TO DESIGN UNITS. CONVERSIONS ARE ONLY FOR REFERENCE. UNLESS NOTED, TOLERANCES ARE 2

|              | DIM.  |          | TOL.   |          |
|--------------|-------|----------|--------|----------|
|              | mm    | mm/in    | in     | mm/in    |
| NO PLACES    | X     | 1/64     | X, X   | 0.07/03  |
| ONE PLACE    | X, X  | 0.01/018 | X, XX  | 0.39/015 |
| TWO PLACES   | X, XX | 0.16/008 | X, XXX | 0.15/005 |
| THREE PLACES |       |          |        |          |
| ANGLES       |       |          |        |          |

DESIGN UNITS  SI METRIC  US CUSTOMARY

WEIGHT **3**

**FORMTEK**  
 FO-52848-A  
 DRAWN  
 G J W 14 JUL 82  
 CHECKED  
 C J H 22 JUL 82  
 REVISIONS  
 A CO 31463  
 G J W 14 JUL 82  
 B CO57041A  
 C J H 21 MAR 85  
 C OBS DWG CO76001  
 C S L 28 JUL 93  
 D REINST CO79228  
 S A D 7 DEC 94  
 E CO94274  
 D L M MAR 99  
 CHECK  
 G J W 14 JUL 82  
 CHECK  
 C J H 22 JUL 82  
 REPLACES  
 RELEASE NO. SR-4521  
 DRAWING NUMBER  
 ISSUE  
 1213  
 M  
 1 S E 3  
 PAGE 1 OF 1