

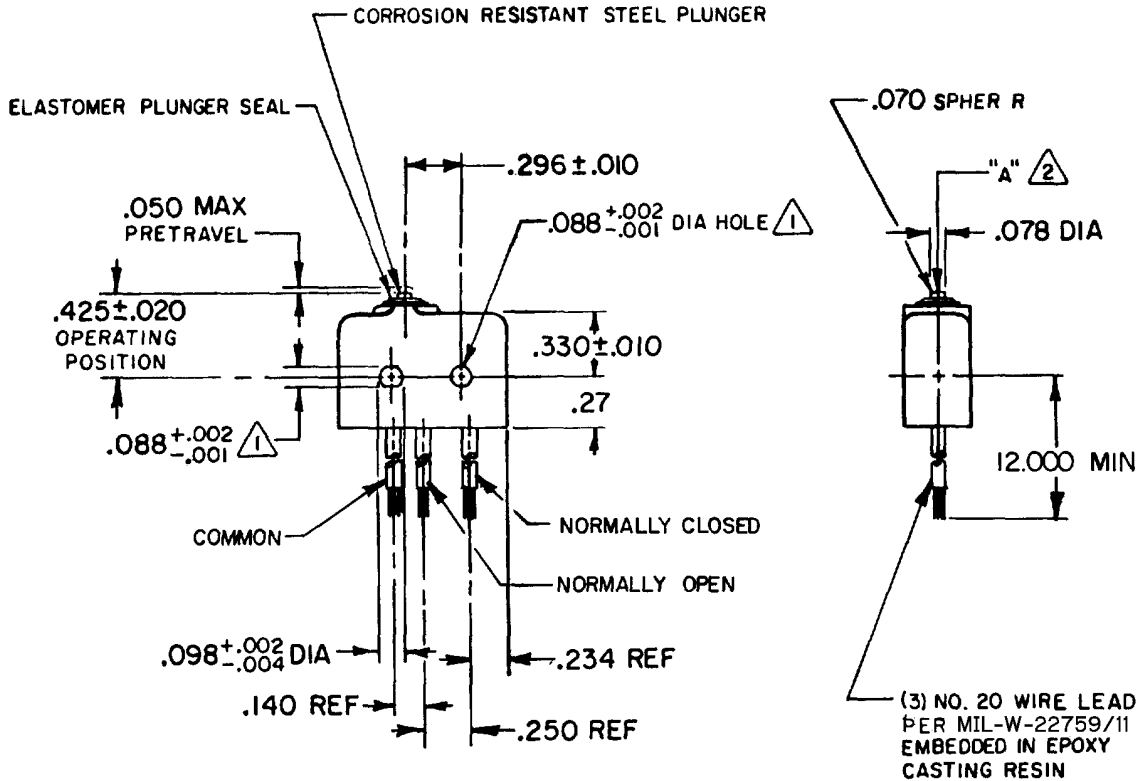
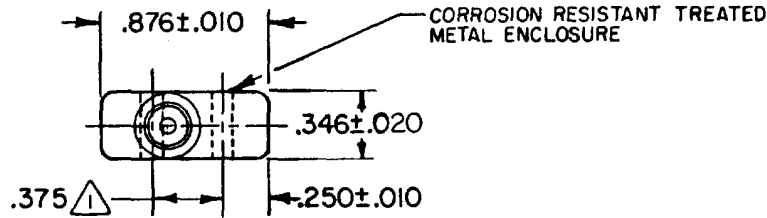
# MICRO SWITCH

FREEPORT ILLINOIS, U.S.A  
A DIVISION OF HONEYWELL  
FED. MFG. CODE 91929

# SWITCH - BASIC

CATALOG LISTING

# ISEI

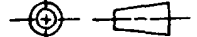


### NOTES

- ① MOUNTING HOLES WILL ACCEPT .087 MAX DIA PINS OR SCREWS ON .375±.002 CENTERS
- ② ACTUATION IN LINE WITH ARROW "A" IS RECOMMENDED
- ③ WEIGHT OF SWITCH ONLY IS .26 OZ MAX WEIGHT OF SWITCH WITH WIRE LEADS IS .65 OZ MAX

THIS DRAWING COVERS A PROPRIETARY ITEM AND IS THE PROPERTY OF MICRO SWITCH, A DIVISION OF HONEYWELL. THIS DRAWING IS NOT TO BE COPIED OR USED WITHOUT THE APPROVAL OF MICRO SWITCH.

THIRD ANGLE PROJECTION



### CHARACTERISTICS

OPERATING FORCE ----- 5-17 OZ  
RELEASE FORCE ----- 4 OZ MIN  
RELEASE TRAVEL ----- .004 MIN  
DIFFERENTIAL TRAVEL ----- .004 MAX  
OVERTRAVEL ----- .003 MIN

### ELECTRICAL DATA

CONTACT ARRANGEMENT  
S P D T  
250 VAC ----- 5 AMP  
30 VOLTS DC RATING  
INDUCTIVE ----- SEA LEVEL -- 3 AMP  
50,000 FT -- 2.5 AMP  
RESISTIVE ----- SEA LEVEL -- 5 AMP  
50,000 FT -- 5 AMP  
MAXIMUM INRUSH ----- 24 AMP

SCALE FULL

DO NOT SCALE PRINT

### TOLERANCES

APPLY TO DESIGN UNITS. CONVERSIONS ARE ONLY FOR REFERENCE. UNLESS NOTED, TOLERANCES ARE ±

	DIM. mm	TOL. mm/in	DIM. in	TOL. mm/in
NO PLACES	X	1/64	X.X	0.07/03
ONE PLACE	X.X	0.47/018	X.XX	0.367/015
TWO PLACES	X.XX	0.167/008	X.XXX	0.137/006
THREE PLACES	X.XXX		X.XXXX	
ANGLES				

DESIGN UNITS  SI METRIC

US CUSTOMARY

WEIGHT ③

FORMTEK  
FO-52848-A  
DRAWN  
GJW  
14 JUL 82  
CHECKED  
CJH  
22 JUL 82  
CHECKED  
CJH  
13  
ISSUE  
M  
DRAWING NUMBER  
ISEI  
PAGE 1 OF 1  
REPLACES  
RELEASE NO. SR-3328

REVISIONS

A	CO	51463
	GJW	14 JUL 82
B	COS7041A	
	CJH	21 MAR 85
C	CO94274	
	DLM	MAR 99