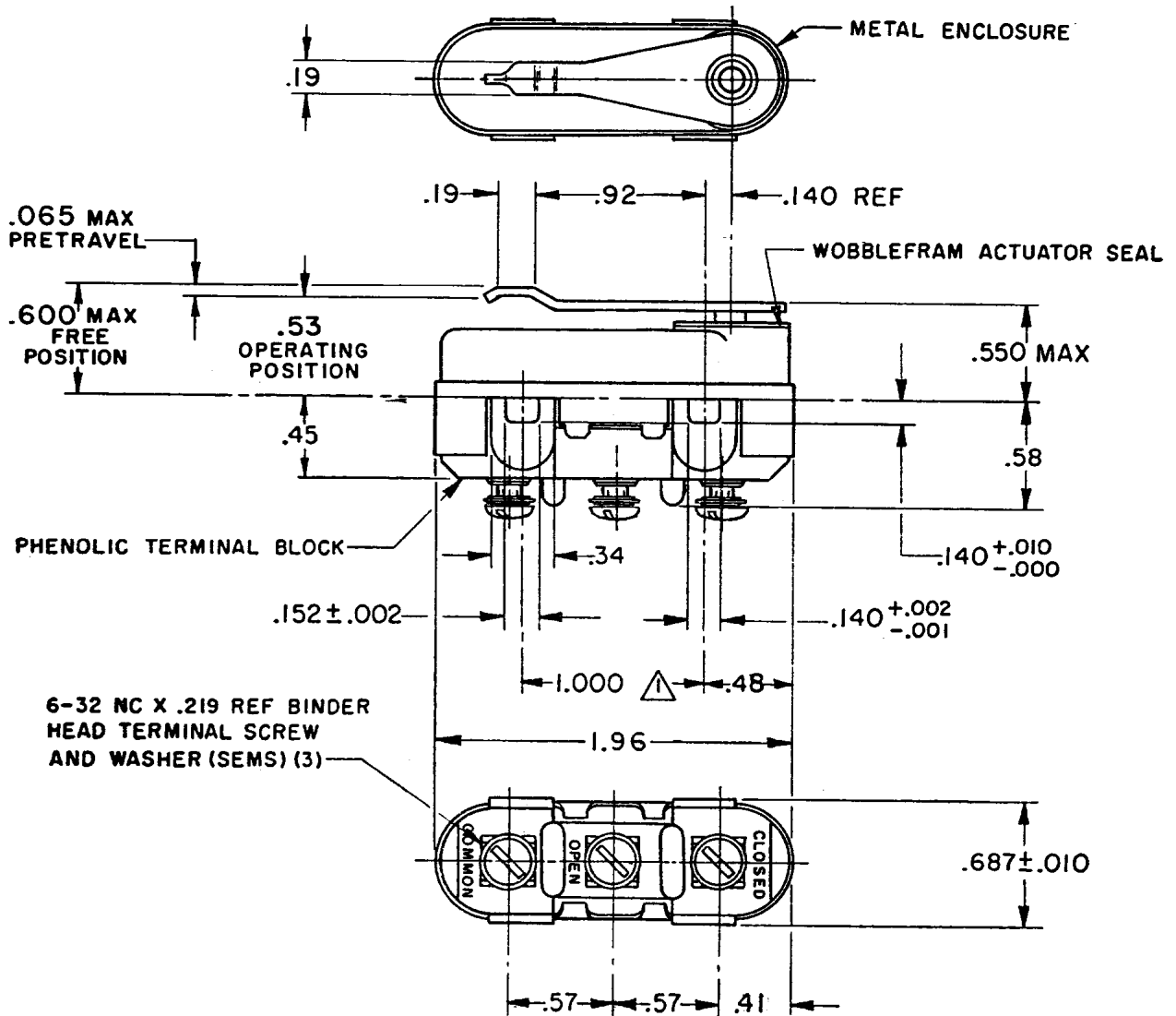


CATALOG LISTING  
1HS1  
PAGE 1 OF 1  
REPLACES  
ISSUE  
M  
26  
CHECK  
REV. SIONS  
A NEW WORKS 076698  
SAD 19 JUL 94  
B C094121  
DLT 2 APR 99  
CHECK TSM  
1 SEPT 94  
FORMTEK  
DRAWN  
S A D 19 JUL 94

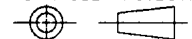


NOTES

- 1 MOUNTING HOLES WILL ACCEPT PINS OR SCREWS OF Ø.139 MAX ON 1.000±.002 CENTERS
- 2 - TRAVEL CHARACTERISTICS ARE REFERENCED FROM THE UPPER SURFACE OF MOUNTING HOLES WITH THIS CONSTRUCTION
- 3 - FOR USE IN AMBIENT TEMPERATURE RANGE FROM -65°F TO +250°F

THIS DRAWING COVERS A PROPRIETARY ITEM AND IS THE PROPERTY OF MICRO SWITCH, A DIVISION OF HONEYWELL. THIS DRAWING IS NOT TO BE COPIED OR USED WITHOUT THE APPROVAL OF MICRO SWITCH.

THIRD ANGLE PROJECTION



CHARACTERISTICS		ELECTRICAL DATA			SCALE FULL	DO NOT SCALE PRINT
OPERATING FORCE — — — 10-22 OZ		CONTACT ARRANGEMENT S P D T			UNLESS OTHERWISE SPECIFIED TOLERANCES ARE	
RELEASE FORCE — — — 4 OZ MIN		LOAD	CURRENT CAPACITY (AMPERES)			ONE PLACE (.0) ±.030
DIFFERENTIAL TRAVEL — — .020 MAX			28 VDC	115 VAC .60 HZ	120 VDC	TWO PLACE (.00) ±.015
OVERTRAVEL — — — .010 MIN		RESISTIVE	25	1	.5	THREE PLACE (.000) ±.005
		INDUCTIVE	8	1	.5	ANGLES ±
		L277 1A 125 VAC, 5A 28 VDC			WEIGHT 1.6 OZ MAX	

