



SPC
TECHNOLOGY

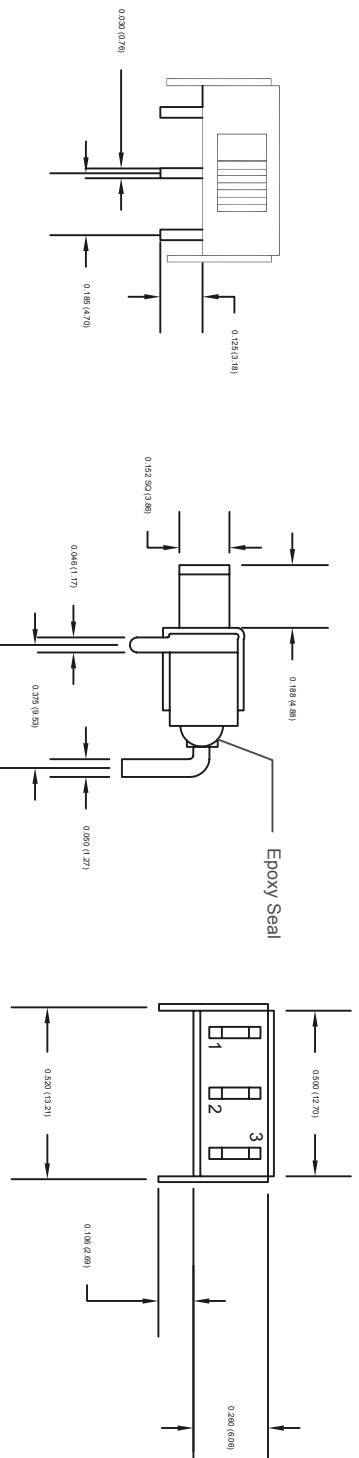
ALL RIGHTS RESERVED. NO PORTION OF THIS PUBLICATION, WHETHER IN WHOLE OR IN PART CAN BE REPRODUCED WITHOUT THE EXPRESS WRITTEN CONSENT OF SPC TECHNOLOGY.

SPC-F005.DWG

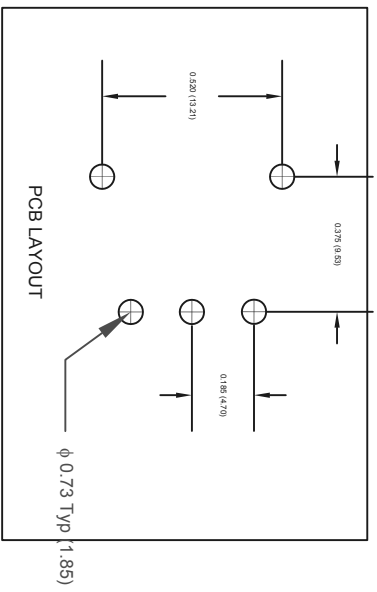
REVISIONS

| DCP # | REV | DESCRIPTION | DRAWN | DATE | CHECKD | DATE | APPRVD | DATE |
|-------|-----|-------------|-------|----------|--------|----------|--------|----------|
| | | | SDH | 07-08-10 | JAG | 17-08-10 | XXX | 21-08-10 |

DOC. NO. SPC-F005 * Effective: 7/8/02 * DCP No: 1398



Dimensions : Inches (mm)



Specifications:

Electrical:
 Contact rating : 0.4 VA Max. at 20 V Max. (AC or DC)
 Contact resistance : 10 milliohms max.
 Insulation resistance : 1,000 Megohms min. at 500 Vdc
 Dielectric strength : 1,000 VRMS

Mechanical:

Life : 30,000 Cycles
Environmental:
 Operating temperature : - 30°C to + 85°C

Material:

Case : DAP, UL 94V-0
 Housing : Stainless steel
 Actuator : Nylon, black
 Contact/terminals : Copper alloy, Gold plated

Part Number Table

| Description | Part Number |
|---------------------------------|-------------|
| Slide Switch, Right Angle, SPDT | SPC21131 |

| Conn. Terms | Switching Function | | |
|-------------|--------------------|------|----|
| | ON | NONE | ON |
| 2-1 | Open | 2-3 | |
| Schematic | SPDT 2 Comm. 1 3 | | |

TOLERANCES:

UNLESS OTHERWISE SPECIFIED, DIMENSIONS ARE FOR REFERENCE PURPOSES ONLY.

DRAWING TITLE:

Slide Switch, Right Angle, SPDT

| | |
|--------------|----------|
| DRAWN BY: | DATE: |
| SDH | 07-08-10 |
| CHECKED BY: | DATE: |
| JAG | 19-08-10 |
| APPROVED BY: | DATE: |
| XXX | 21-08-10 |

| | | | | |
|---------------------------------|-----|-----------------|-------------|--------|
| DRAWING TITLE: | | ELECTRONIC FILE | | REV |
| Slide Switch, Right Angle, SPDT | | 53H6679 | | A |
| SCALE: | NTS | U.O.M.: | INCHES [mm] | SHEET: |
| | | | | 1 OF 1 |

DISCLAIMER:
 ALL STATEMENTS AND TECHNICAL INFORMATION CONTAINED HEREIN ARE BASED UPON INFORMATION AND/OR TESTS WE BELIEVE TO BE ACCURATE AND RELIABLE. SINCE CONDITIONS OF USE ARE BEYOND OUR CONTROL, THE USER SHALL DETERMINE THE SUITABILITY OF THE PRODUCT FOR THE INTENDED USE AND ASSUME ALL RISK AND LIABILITY WHATSOEVER IN CONNECTION THEREWITH.