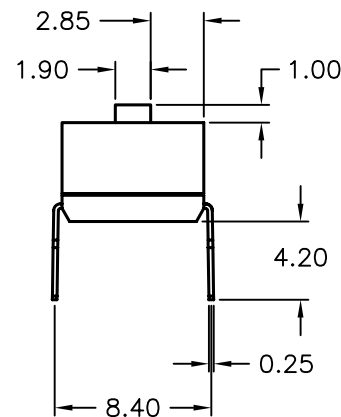
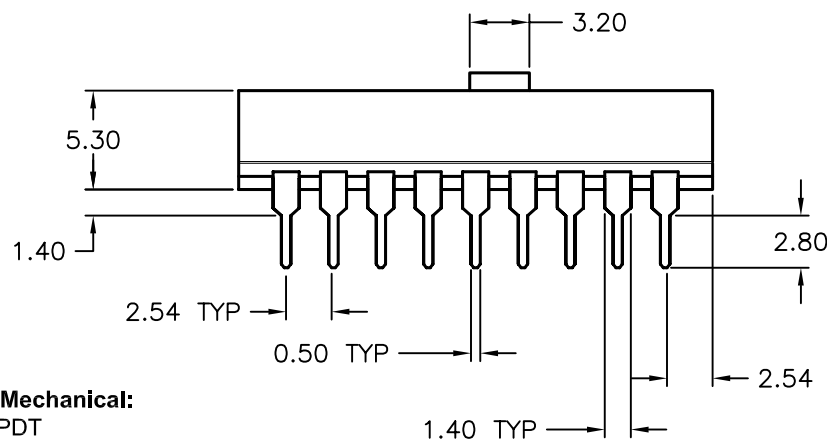
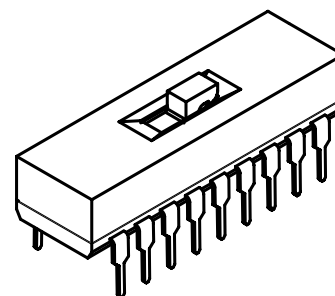
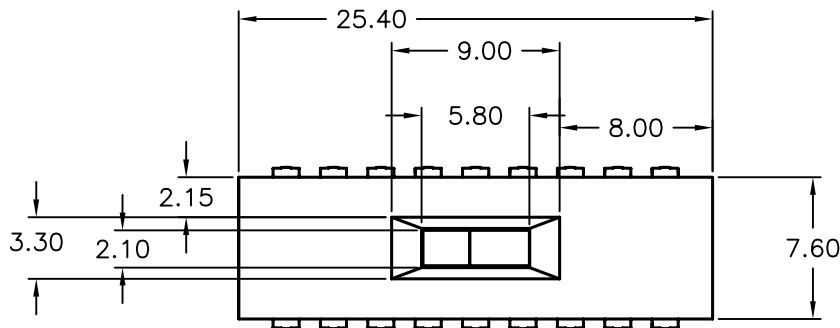
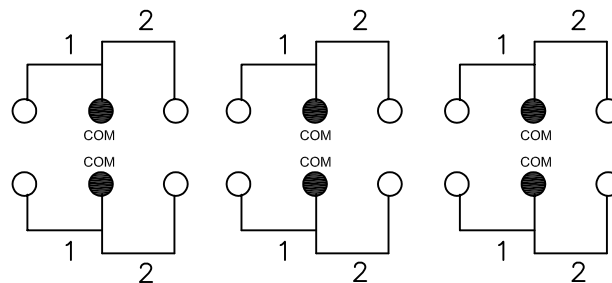


REVISIONS			DOC. NO. SPC-F004 * Effective: 7/8/02 * DCP No: 1398					
DCP #	REV	DESCRIPTION	DRAWN	DATE	CHECKD	DATE	APPRVD	DATE
1501	A	RELEASED	JWM	10/27/03	HO	1/14/04	JC	1/23/04



**Electrical/Mechanical:**

- Action: 6PDT
- Type: Upright
- Through hole
- Process Seal (tape)
- Auto-insertable
- Contact Timing: Shorting type, make before break
- Contact Rating: 300mA at 125 VAC
- Termination: Copper alloy, tin/lead plating
- Contact Resistance: 20 milliohms max.
- Insulation Resistance: 100 megohms min. at 500 VDC
- Dielectric Strength: 500 VRMS
- Actuation Force: 400 ±150 grams
- Operating Life: 15,000 cycles



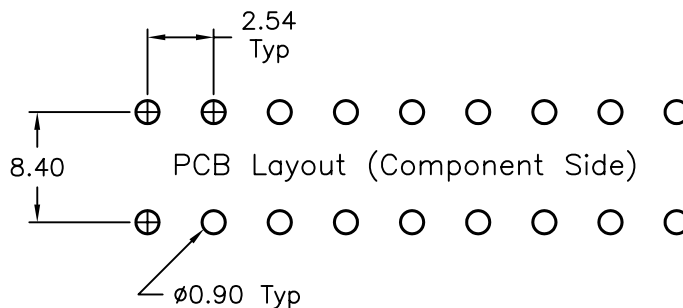
SCHEMATIC (Shorting Type)

**Material:**

- Housing: PBT, UL94V-0
- Base: PBT, UL94V-0
- Actuator: Valox 357, UL94V-0
- Contact Carrier: Nylon 6/6, UL94V-0
- Moving Contacts: Phosphor bronze
- Fixed Contact/Terminals: Brass, 50µ" silver plate over copper strike

**Environmental:**

- Sealed to withstand aqueous or solvent cleaning processes
- Operating Temperature: -40°C to +80°C



SPC-F004.DWG

TOLERANCES: UNLESS OTHERWISE SPECIFIED, DIMENSIONS ARE FOR REFERENCE PURPOSES ONLY.	DRAWN BY:	DATE:	DRAWING TITLE:				
	Jeff McVicker	10/27/03	Slide Switch, 6PDT, Sealed				
	CHECKED BY:	DATE:	SIZE	DWG. NO.	ELECTRONIC FILE	REV	
	Hisham Odish	1/14/04	A	SPC12428	53H6685.dwg	A	
APPROVED BY:	DATE:	SCALE:		U.O.M.:		SHEET:	
John Cole	1/23/04	NTS		Millimeters		1 OF 1	

ALL RIGHTS RESERVED. NO PORTION OF THIS PUBLICATION, WHETHER IN WHOLE OR IN PART CAN BE REPRODUCED WITHOUT THE EXPRESS WRITTEN CONSENT OF SPC TECHNOLOGY. DISCLAIMER: ALL STATEMENTS AND TECHNICAL INFORMATION CONTAINED HEREIN ARE BASED UPON INFORMATION AND/OR TESTS WE BELIEVE TO BE ACCURATE AND RELIABLE. SINCE CONDITIONS OF USE ARE BEYOND OUR CONTROL, THE USER SHALL DETERMINE THE SUITABILITY OF THE PRODUCT FOR THE INTENDED USE AND ASSUME ALL RISK AND LIABILITY WHATSOEVER IN CONNECTION THEREWITH.