

Miniature Slide Switches

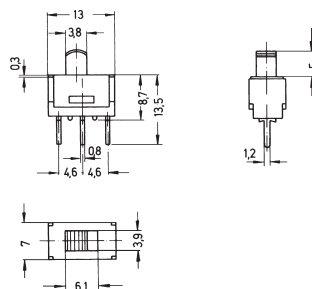
Specifications:

| | |
|------------------------|---|
| Contact rating: | 250 V AC, 3 A / 125 V AC, 6 A / 30 V DC, 4 A |
| Contact resistance: | < 20 mΩ |
| Insulation resistance: | > 1000 MΩ at 500 V DC |
| Dielectric strength: | 1500 V, 50 Hz for the duration of 1 minute |
| Operating temperature: | - 10° to + 60° C |
| Mechanical life: | minimum 20 000 operations |
| Contacts: | coin silver (common contact copper alloy, silver-plated) also available: gold-plated, version G (see page 4) |
| Terminals: | MFP PC terminals; MFS solder tags |
| Case material: | PBT, with glass fibre |
| Slide colour: | black |
| Soldering conditions: | auto-soldering – max.: 5 sec, 260° C ± 5° C hand-soldering – max.: 5 sec, 300° C |

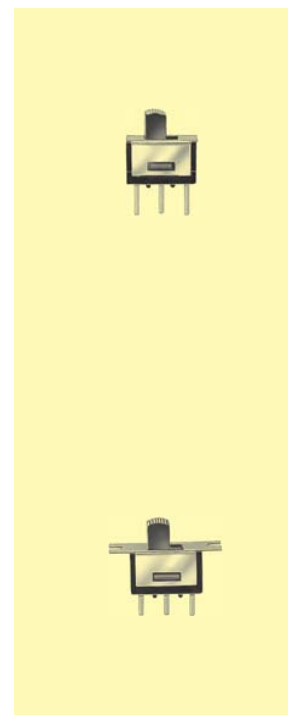
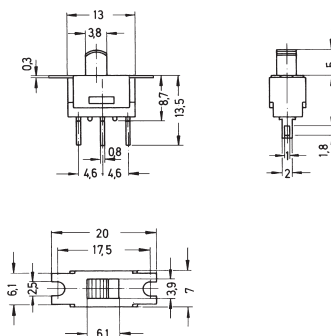
4

Models: Switching functions

SPDT
MFP 106 D on - on



SPDT
MFS 106 D on - on





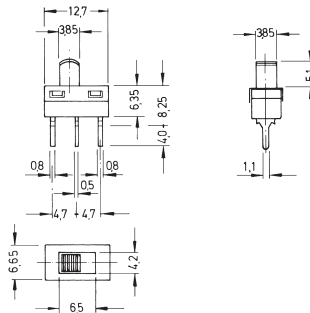
Miniature Slide Switches

Specifications:

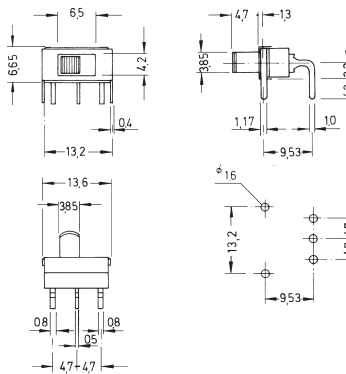
| | |
|------------------------|---|
| Contact rating: | 20 V AC or DC, 0,4 VA |
| Contact resistance: | < 10 mΩ |
| Insulation resistance: | > 1000 MΩ |
| Dielectric strength: | 1000 V, 50 Hz for the duration of 1 minute |
| Operating temperature: | - 30° to + 85° |
| Mechanical life: | minimum 60 000 operations |
| Contacts/Terminals: | PC terminals or solder tags, brass gold-plated |
| Material: | case: PES, slide: PA |
| Soldering conditions: | auto-soldering – max.: 5 sec, 260° C ± 5° C hand-soldering – max.: 5 sec, 300° C |

Models: Switching functions

SPDT
MFP 116 DG on - on



SPDT
MFP 116 DG - RA on - on



SPDT
MFS 116 DG on - on

