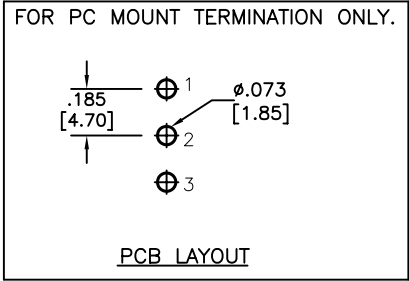
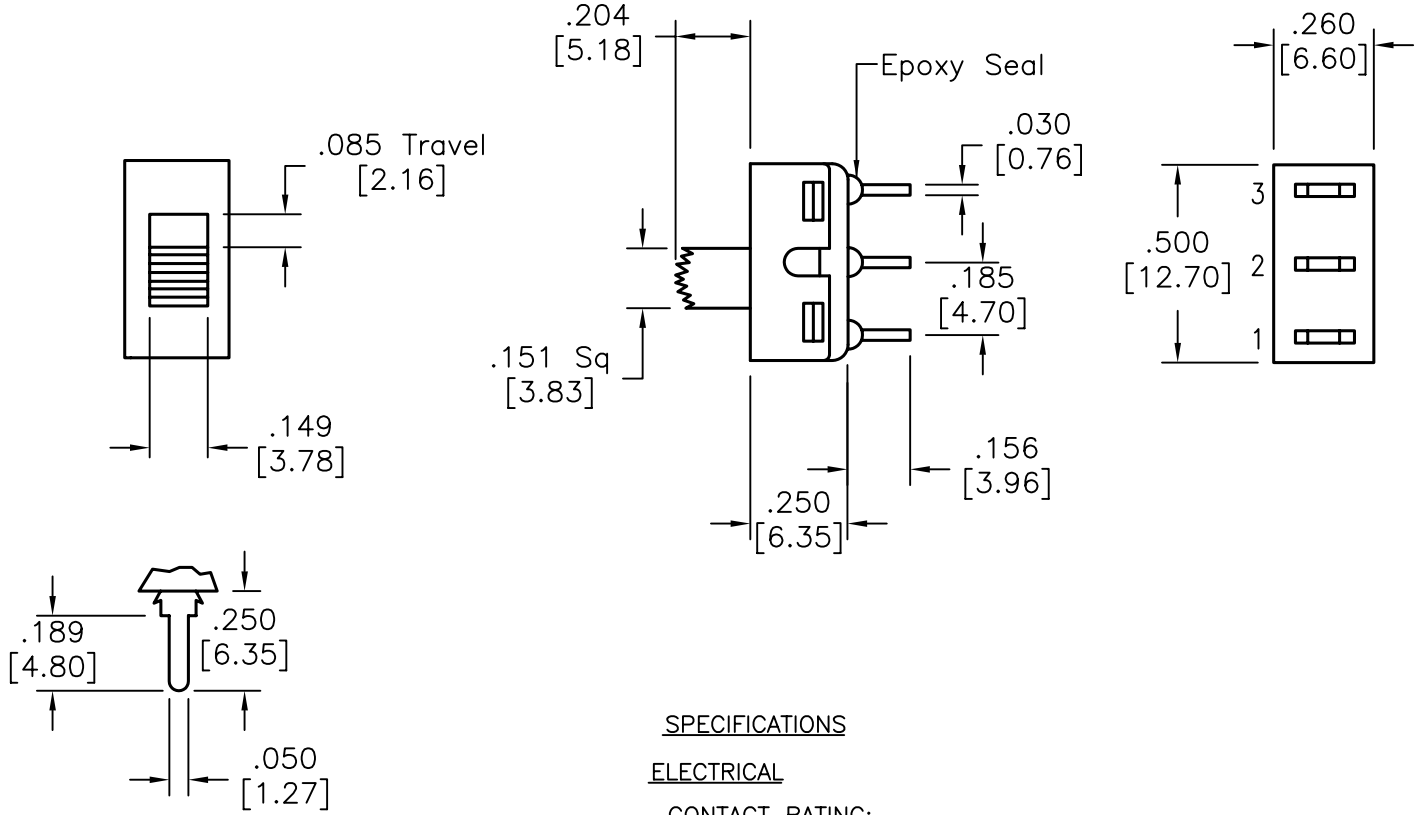


REVISIONS				DOC. NO. SPC-F004 * Effective: 7/8/02 * DCP No: 1398				
DCP #	REV	DESCRIPTION	DRAWN	DATE	CHECKD	DATE	APPRVD	DATE
1501	A	RELEASED	JWM	10/7/03	HO	10/14/03	DJC	10/14/03



SPECIFICATIONS

ELECTRICAL

- CONTACT RATING: 0.4 VA MAX. @ 20 V MAX. (AC OR DC)
- CONTACT RESISTANCE: 10 MILLIOHMS MAX.
- INSULATION RESISTANCE: 1,000 MEGOHMS MIN. AT 500 VDC
- DIELECTRIC STRENGTH: 1,000 VRMS

MECHANICAL

LIFE: 30,000 CYCLES

ENVIRONMENTAL

OPERATING TEMPERATURE: -30°C TO +85°C

MATERIAL

- CASE: DAP, UL94V-0
- HOUSING: STAINLESS STEEL
- ACTUATOR: NYLON, BLACK
- CONTACTS/TERMINALS: COPPER ALLOY, GOLD PLATED

	SWITCHING FUNCTION		
CONN. TERMS	2-1	OPEN	2-3
SCHMATIC	SPDT 2 Comm.		

SPC-F004.DWG

NON-SHORTING TYPE

TOLERANCES: UNLESS OTHERWISE SPECIFIED, DIMENSIONS ARE FOR REFERENCE PURPOSES ONLY.	DRAWN BY:	DATE:	DRAWING TITLE:		
	Jeff McVicker	10/7/03	Slide Switch, SPDT, PCB Mount		
	CHECKED BY:	DATE:	SIZE	DWG. NO.	ELECTRONIC FILE
	Hisham Odish	10/14/03	A	SPC12416	53H6675.dwg
APPROVED BY:	DATE:	SCALE:		U.O.M.:	REV
Daniel Carey	10/14/03	NTS		INCHES [mm]	A
			SHEET:		
			1		OF 1

ALL RIGHTS RESERVED. NO PORTION OF THIS PUBLICATION, WHETHER IN WHOLE OR IN PART CAN BE REPRODUCED WITHOUT THE EXPRESS WRITTEN CONSENT OF SPC TECHNOLOGY. DISCLAIMER: ALL STATEMENTS AND TECHNICAL INFORMATION CONTAINED HEREIN ARE BASED UPON INFORMATION AND/OR TESTS WE BELIEVE TO BE ACCURATE AND RELIABLE. SINCE CONDITIONS OF USE ARE BEYOND OUR CONTROL, THE USER SHALL DETERMINE THE SUITABILITY OF THE PRODUCT FOR THE INTENDED USE AND ASSUME ALL RISK AND LIABILITY WHATSOEVER IN CONNECTION THEREWITH.