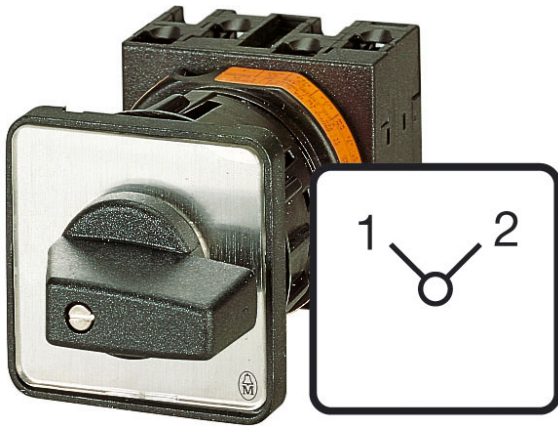


Type: **T0-3-8222/EZ**
 Article No.: **015118**
 Sales text **2 WAY SWITCH**

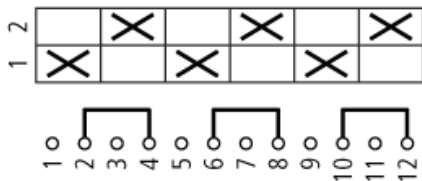


With black thumb-grip and grey front plate

Ordering information

| | | | |
|-----------------------------|----------------------|----|--------------------------|
| Design | | | Centre mounting |
| Description | | | Without 0 (Off) position |
| Description | | | Changeover switches |
| No. of poles | | M | 3 |
| Max. motor rating | | | |
| AC-23A 400/415 V 50-60 Hz | <i>P</i> | kW | 6.5 |
| Rated uninterrupted current | <i>I_u</i> | A | 20 |

Contact sequence



Front plate no.



General

| | | | |
|-----------|--|--|--|
| Standards | | | IEC/EN 60947, VDE 0660, IEC/EN 60204, CSA, UL Switch-disconnectors to IEC/EN 60947-3 |
|-----------|--|--|--|

| | | | |
|---|-----------------------------|---------------|--|
| | | | Load-break switches to IEC/EN 60947-3 |
| Lifespan, mechanical | Operations | $\times 10^6$ | 1 |
| Maximum operating frequency | Operations/h | | 3000 |
| Climatic proofing | | | Damp heat, constant, to IEC 60068-2-78; Damp heat, cyclical, to IEC 60068-2-30 |
| Ambient temperature | | | |
| Open | | °C | -25...50 |
| Enclosed | | °C | -25...40 |
| Mounting position | | | As required |
| Mechanical shock resistance to IEC 60068-2-27 | Half-sinusoidal shock 20 ms | g | > 15 |

Contacts

| | | | |
|---|-----------|--------------|----------------------|
| Rated operational voltage | U_e | V AC | 690 |
| Rated impulse withstand voltage | U_{imp} | V AC | 6000 |
| Overvoltage category/pollution degree | | | III/3 |
| Rated uninterrupted current | | | |
| open | I_u | A | 20 |
| Enclosed | I_u | A | 20 |
| Load rating with intermittent operation, class 12 | | | |
| AB 25 % DF | | $\times I_e$ | 2 |
| AB 40 % DF | | $\times I_e$ | 1,6 |
| AB 60 % DF | | $\times I_e$ | 1,3 |
| Short-circuit rating | | | |
| Fuse | | A gG/gL | 20 |
| Rated short-time withstand current (1 s current) | I_{cw} | A_{rms} | 320 |
| Safe isolation to VDE 0106 Part 101 and Part 101/A1 | | | |
| between the contacts | | V AC | 440 |
| Switching angles | | ° | 90 60 45 30 |
| Contact units | | | 11 |
| Double-break contacts | | | max. 22 |
| Current heat loss per contact at I_e | | W | 0,6 |

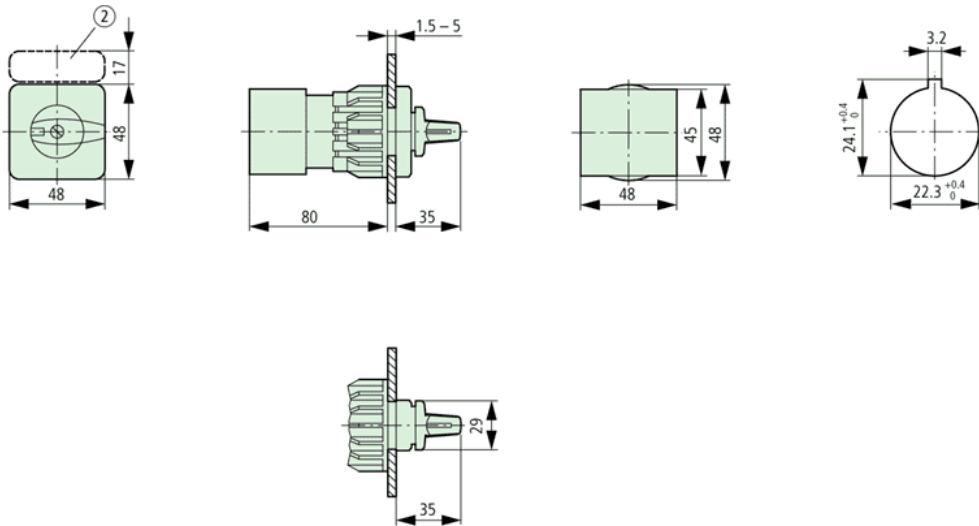
Terminal capacities

| | | | |
|---|----------------------|-----------------|--------------------------------------|
| Solid or stranded | | mm ² | 1 × (1 – 2.5) 2 × (1 – 2.5) |
| Flexible with ferrule to DIN 46228 | | mm ² | 1 × (0.75 – 1.5) 2 × (0.75 – 1.5) |
| Terminal screw | | | M3.5 |
| Tightening torque | | Nm | 1 |
| Switching capacity | | | |
| AC | | | |
| Rated making capacity cos φ = 0.35 | | A | 130 |
| Rated breaking capacity, motor load switch cos φ = 0.35 | | | |
| 230 V | | A | 100 |
| 400 V | | A | 110 |
| 500 V | | A | 80 |
| 690 V | | A | 60 |
| Rated operational current 440 V load-break switch AC-21A | <i>I_e</i> | A | 20 |
| AC-3 motor load switch motor rating | | | |
| 230 V | <i>P</i> | kW | 3 |
| 230 V Star-delta | <i>P</i> | kW | 4 |
| 400 V | <i>P</i> | kW | 4 |
| 400 V Star-delta | <i>P</i> | kW | 5,5 |
| 500 V | <i>P</i> | kW | 5,5 |
| 500 V Star-delta | <i>P</i> | kW | 7,5 |
| 690 V | <i>P</i> | kW | 4 |
| 690 V Star-delta | <i>P</i> | kW | 5,5 |
| AC-23A Motor load switches (main switches maintenance switches) | | | |
| 230 V | <i>P</i> | kW | 3,5 |
| 400 V | <i>P</i> | kW | 6,5 |
| 500 V | <i>P</i> | kW | 13 |
| Rated operational current control switch AC-15 | | | |
| 230 V | <i>I_e</i> | A | 6 |
| 400 V | <i>I_e</i> | A | 4 |
| 500 V | <i>I_e</i> | A | 2 |
| DC | | | |
| | | | |

| | | | |
|---|-------------------|----------|---|
| DC-1, Load-break switches L/R = 1 ms | | | |
| Rated operational current | I_e | A | 10 |
| Voltage per contact pair in series | | V | 60 |
| DC-21A | | | |
| Rated operational current 240 V | I_e | A | 1 |
| 240 V Contacts | | Quantity | 1 |
| DC-23A, motor load switch L/R = 15 ms | | | |
| 24 V | | | |
| Rated operational current | I_e | A | 10 |
| Contacts | | Quantity | 1 |
| 48 V | | | |
| Rated operational current | I_e | A | 10 |
| Contacts | | Quantity | 2 |
| 60 V | | | |
| Rated operational current | I_e | A | 10 |
| Contacts | | Quantity | 3 |
| 120 V | | | |
| Rated operational current | I_e | A | 5 |
| Contacts | | Quantity | 3 |
| 240 V | | | |
| Rated operational current | I_e | A | 5 |
| Contacts | | Quantity | 5 |
| DC-13, Control switches L/R = 50 ms | | | |
| Rated operational current | I_e | A | 10 |
| Voltage per contact pair in series | | V | 32 |
| Control circuit reliability at 24 V DC, 10 mA | Fault probability | H_F | $< 10^{-5}$, < 1 fault in 100000 operations |
| Notes | | | |
| Notes | | | For mechanical shock resistance: T3.../I... >12g Applies to T0(3).../SVB: isolating characteristics to IEC/EN 60947 U for rated operational voltage up to 500 V AC Applies to rated uninterrupted current I_u of the contact: with T5-4-8344/I5 max. 95 A |

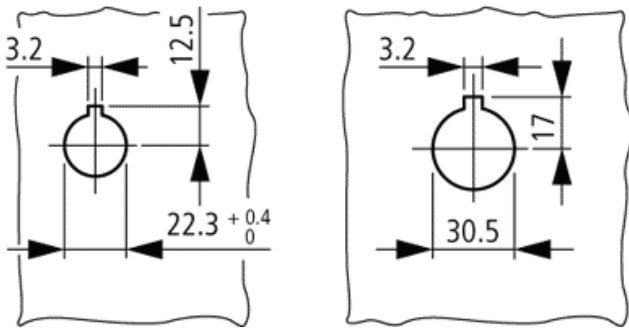
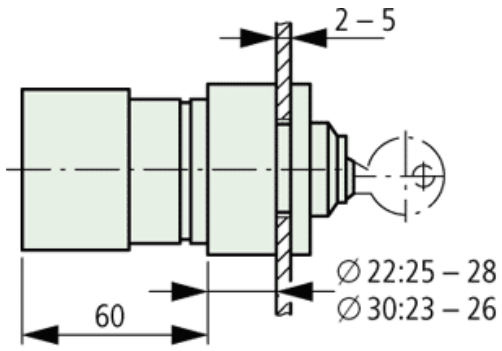
For terminal capacity solid, stranded and flexible:
 T0(3), (6), (8)...: Maximum of 2 cross-section sizes difference admissible between 2 conductors
 T5(B)-...: Maximum of 1 cross-section size difference admissible between 2 conductors
 For type T8-3-8342/... the following applies: switching angle = 90° and flat connection = 1 busbar 25 × 5 or 2 busbars 20 × 3

Dimensions



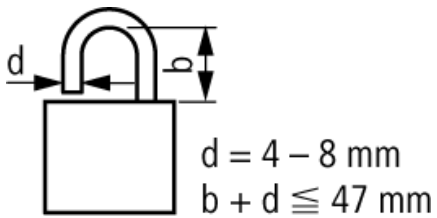
not included
 Depth of a contact unit: 9.5 mm

Dimensions

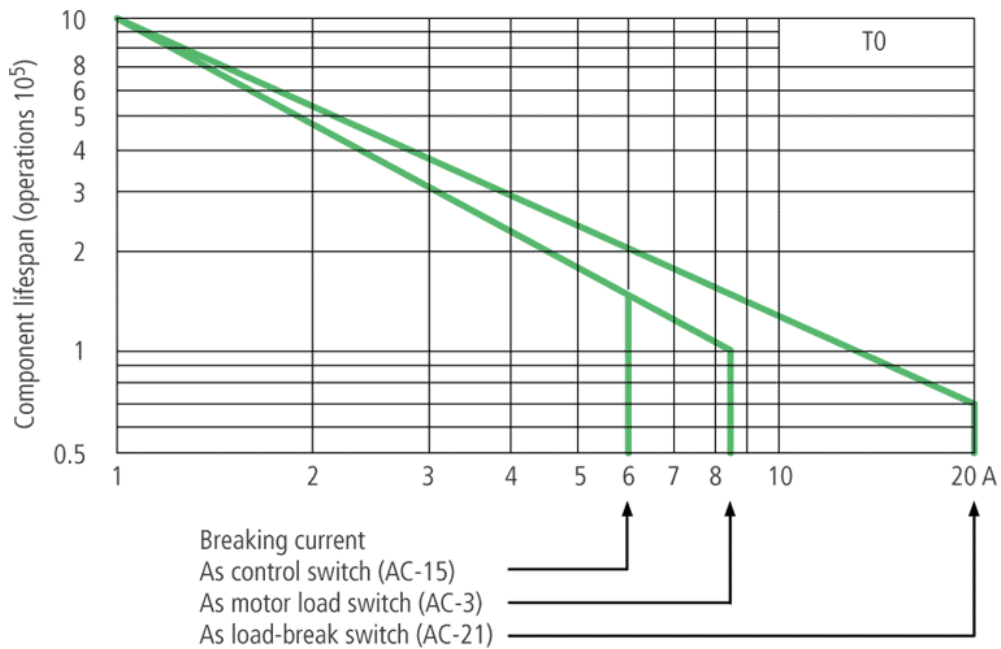


T0-3-.../EZ "Y T0-3-.../E + EZ-T0 + S-(SOND-)T0

Dimensions



Characteristic curve



For utilisation category AC-4 (extreme load: 100 % inching, reversing or plugging)
 The blocked rotor current of the motor should not exceed the rated current of the switch for AC-21A to ensure a reasonable device lifespan.

Moeller GmbH, Hein-Moeller-Str. 7-11, D-53115 Bonn
 E-Mail: catalog@moeller.net, Internet: www.moeller.net, <http://catalog.moeller.net>
 HPL-G2007G V2.1 © 2007 by Moeller GmbH