

MRJ Series *PC Mountable Rotary/0.4VA/Gold Contacts Standard*

MATERIAL SPECIFICATIONS:

Contacts Gold plate over nickel plate
 Case Material Zinc die cast
 Actuator Material Brass
 Terminals/Fixed Contacts Gold plated
 Terminal Seal Molded-in epoxy base
 Process Seal MRJB and MRJE

TYPICAL PERFORMANCE CHARACTERISTICS:

Contact Rating 0.4VA max. @ 20 VDC or peak AC
 Initial Contact Resistance 30 Milliohms max.
 Contact Timing Non-shorting
 Insulation Resistance 10,000 Megohms min.
 Dielectric Strength 1,000 Volts RMS @ sea level
 Actuation Force 14 Inch oz. max.
 Plunger/Actuator Travel 30°
 Life Expectancy 10,000 Cycles @ full contact rating
 30,000 Cycles @ 0.1 mA, 12 VDC

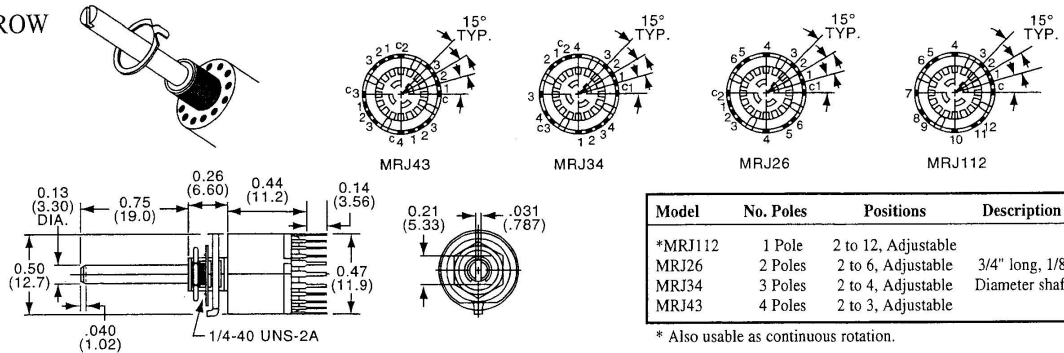
ENVIRONMENTAL SPECIFICATIONS:

Operating Temperature -4°F to +158°F (-20°C to +70°C)
 Storage Temperature -4°F to +158°F (-20°C to +70°C)
 Solder Heat Resistance 285°C ±3C for 15 seconds

30° ANGLE OF THROW



MRJ26



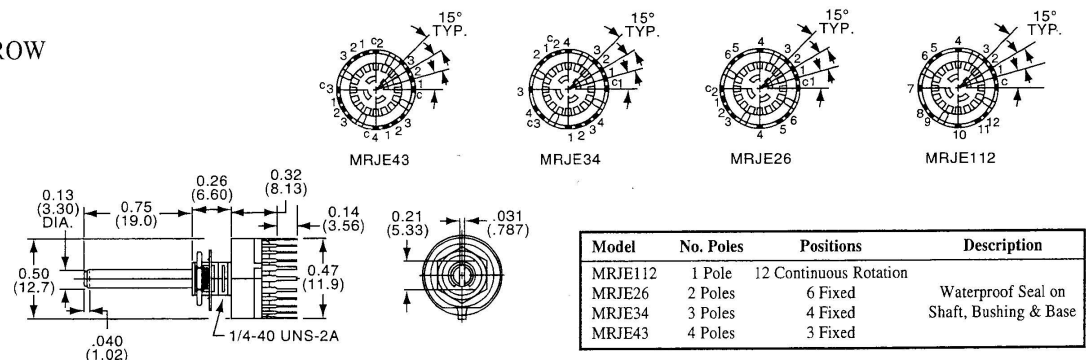
Application Note: Set stop positions by presetting external pin plate provided.

SPLASHPROOF

30° ANGLE OF THROW



MRJE26

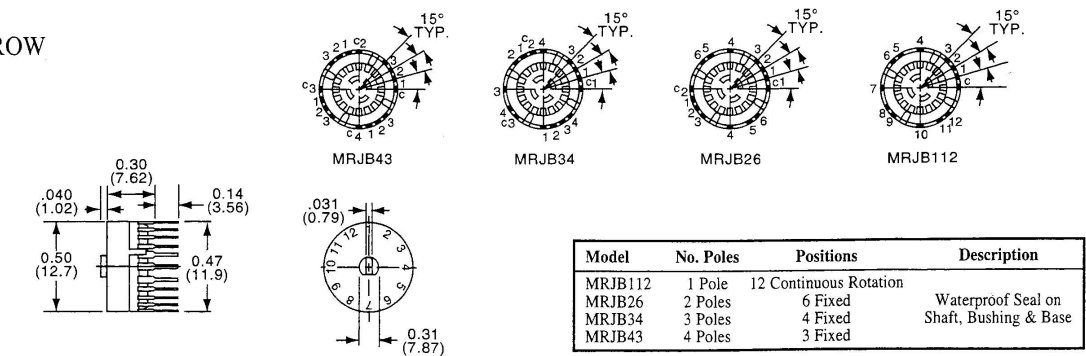


SPLASHPROOF

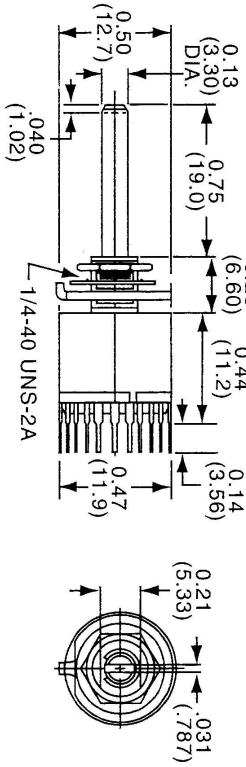
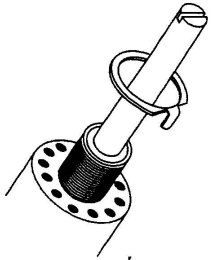
30° ANGLE OF THROW



MRJB26



30° ANGLE OF THROW

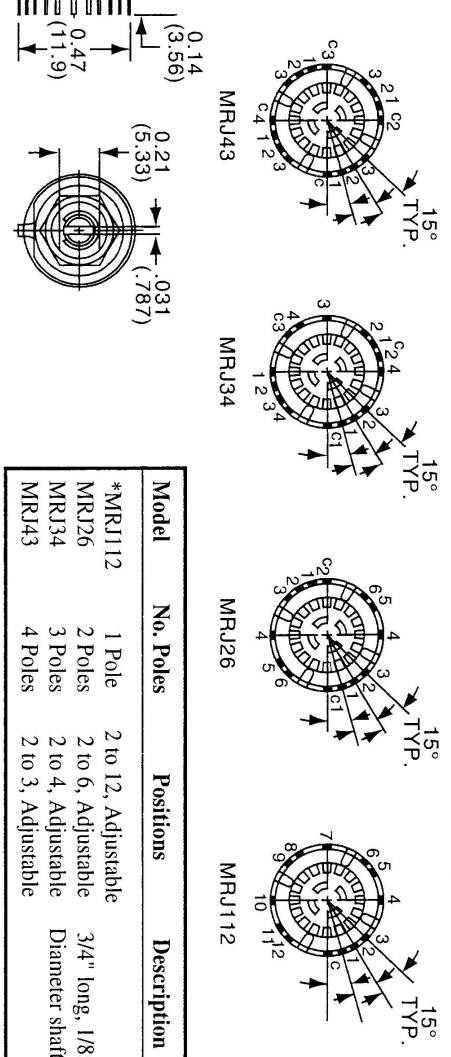


MRJ43

MRJ34

MRJ26

MRJ112

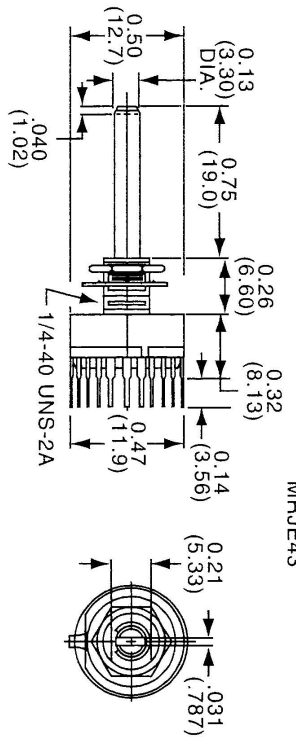
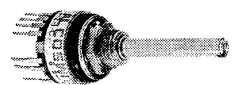


Model	No. Poles	Positions	Description
*MRJ112	1 Pole	2 to 12, Adjustable	
MRJ26	2 Poles	2 to 6, Adjustable	3/4" long, 1/8" Diameter shaft.
MRJ34	3 Poles	2 to 4, Adjustable	
MRJ43	4 Poles	2 to 3, Adjustable	

* Also usable as continuous rotation.

Application Note: Set stop positions by presetting external pin plate provided.

SPLASHPROOF 30° ANGLE OF THROW

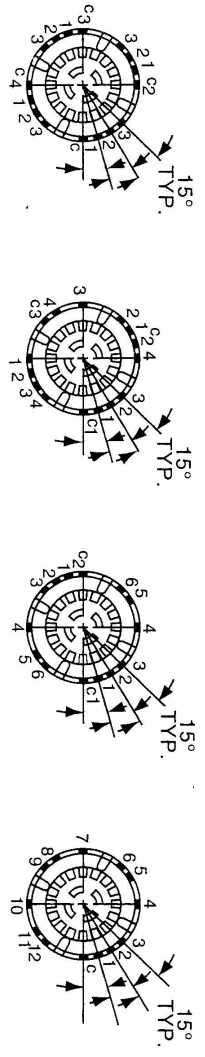


MRJE43

MRJE34

MRJE26

MRJE112



Model	No. Poles	Positions	Description
MRJE112	1 Pole	12 Continuous Rotation	
MRJE26	2 Poles	6 Fixed	Waterproof Seal on Shaft, Bushing & Base
MRJE34	3 Poles	4 Fixed	
MRJE43	4 Poles	3 Fixed	

MRJE26