



Features

- Single pole/double throw
- Compatible with most surface mount soldering processes
- 50 or 2000 cycle rotational life
- Compatible with popular vacuum pick-and-place equipment
- J-hook, gull-wing and through hole
- Meets EIA/EIAJ/IPC/VRCI SMD standard outline dimensions
- RoHS compliant*

7814 SMD 4 mm Square Sealed Rotary Switch

Electrical Characteristics

Contact Rating
 Maximum Current100 mA max.
 Maximum Voltage16 V
 Contact Timing.....Non-shorting
 Contact Resistance.....2 ohms max.
 Insulation Resistance
100 megohms min.
 Dielectric Strength250 VAC

General Characteristics

Switch TypeSPDT
 Operating Temperature Range
-55 °C to +125 °C
 Storage Temperature Range
-55 °C to +125 °C
 Seal Test85 °C Fluorinert†

Mechanical Characteristics

Positions2
 Adjustment Torque.....1.8 N-cm max.
 Stop Strength.....2.5 N-cm min.
 Pushover Strength (Z Style)
2 kilograms minimum
 Weight.....Approximately 0.2 gm.
 MarkingManufacturer's trademark, life code and date code

Environmental Characteristics

Vibration20 G
 Shock100 G
 Thermal Shock.....(5 cycles)
-55 °C to +125 °C

Humidity
 Insulation Resistance
10 megohms min.
 Rotational Life
 -05150 Cycles
 -0232000 Cycles
 Max. Soldering Heat245 °C,
 10 seconds

Packaging Options
 J & G.....500 pcs.
 Z200 pcs.
 H100 pcs./tube

How to Order

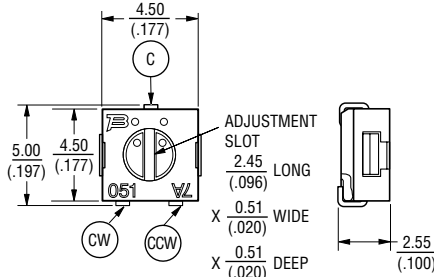
7814 J - 1 - 051 E

Model _____
 Terminal _____
 J = J-Hook
 G = Gull Wing
 H = Through-hole
 Z = Right Angle
 Switch Type _____
 1 = SPDT
 Rotational Life _____
 -051 = 50 Cycles
 -023 = 2000 Cycles
 Optional Embossed Tape Designator _____
 (For pin styles J, G, Z only - omit for tube packaging)

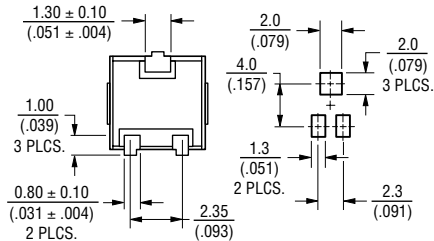
*RoHS Directive 2002/95/EC Jan 27 2003 including Annex.
 †"Fluorinert" is a registered trademark of 3M Co.
 Specifications are subject to change without notice.
 Customers should verify actual device performance in their specific applications.

Product Dimensions

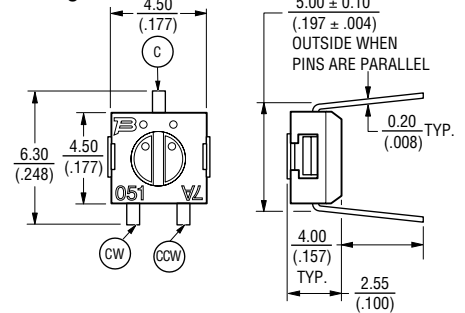
7814J J-Hook



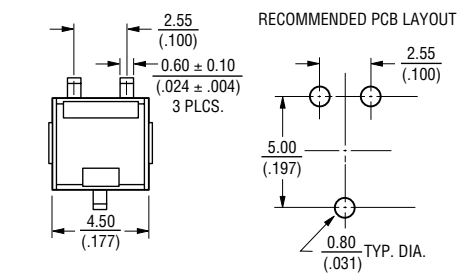
RECOMMENDED PCB LAYOUT



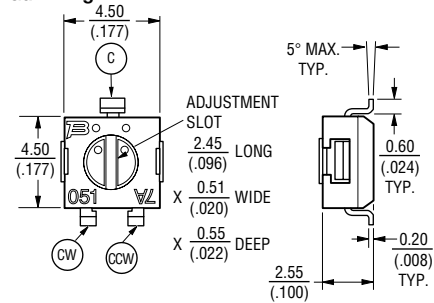
7814H Through-hole



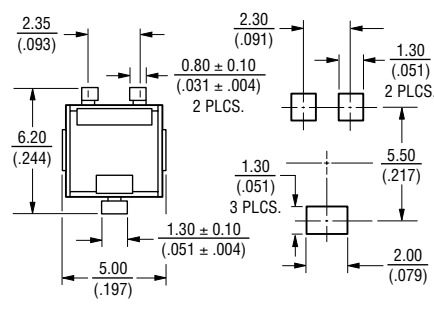
RECOMMENDED PCB LAYOUT



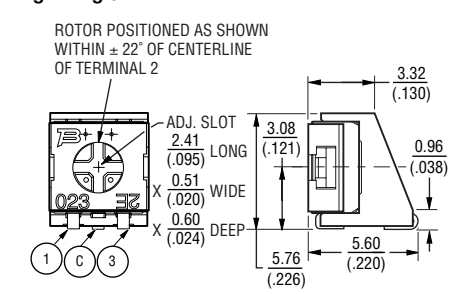
7814G Gull Wing



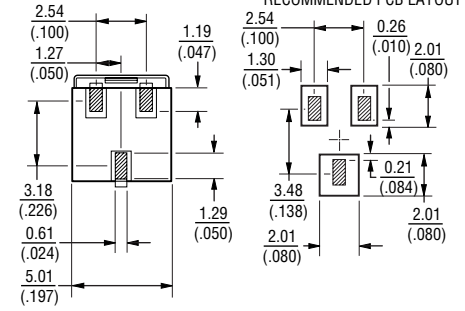
RECOMMENDED PCB LAYOUT



7814Z Right Angle

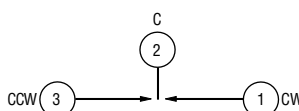


RECOMMENDED PCB LAYOUT



DIMENSIONS ARE: MM
(INCHES)

TOLERANCES: ± 2 EXCEPT WHERE NOTED.

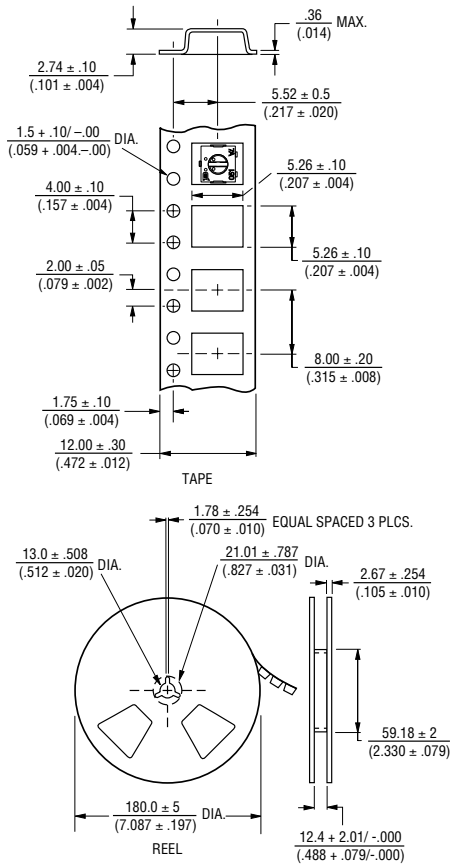


7814 SMD 4 mm Square Sealed Rotary Switch

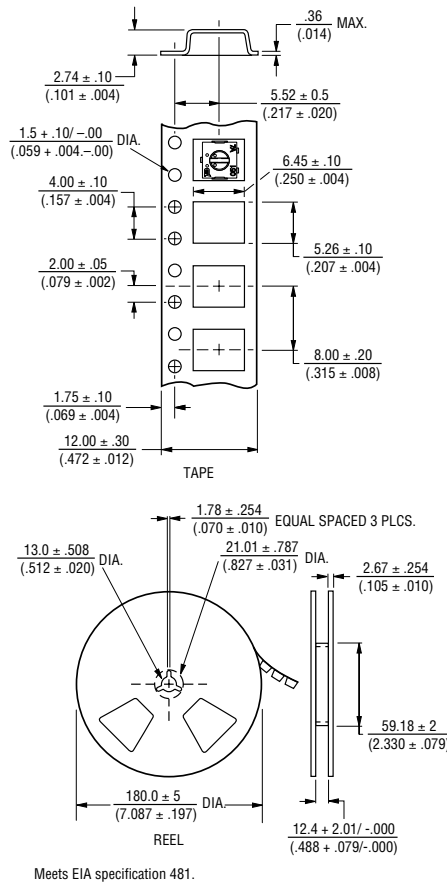
BOURNS®

Packaging Specifications

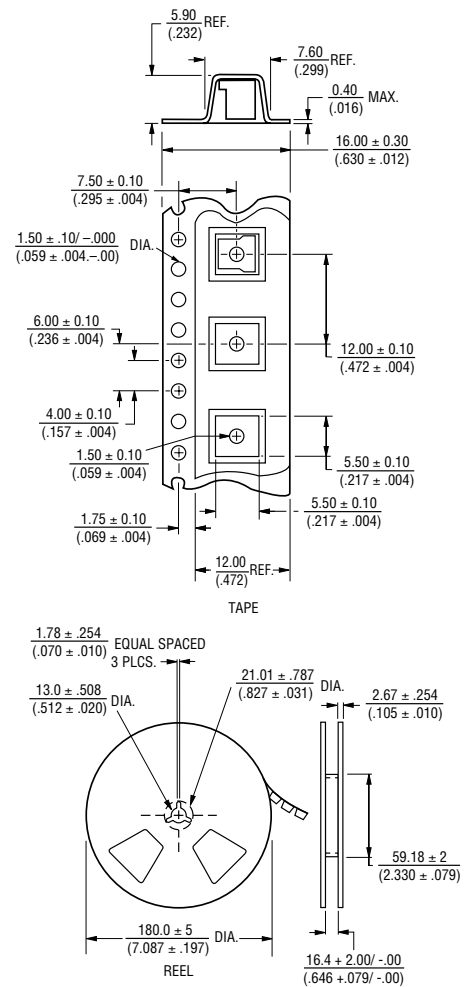
(J Style)



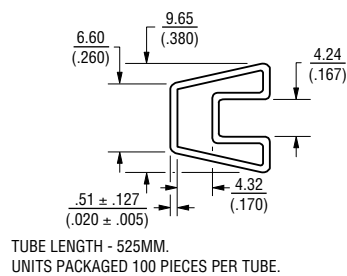
(G Style)



(Z Style)



(H Style)



Reflow Soldering Profile

