

U.S. Patent No. 5043695

Electrical Characteristics

Contact Rating
 Maximum Current 100 mA max.
 Maximum Voltage 16 V
 Contact Timing Non-shorting
 Contact Resistance 2 ohms max.
 Insulation Resistance
 100 megohms min.
 Dielectric Strength 250 VAC

General Characteristics

Switch Type SPDT
 Operating Temperature Range
 -55 °C to +125 °C
 Storage Temperature Range
 -55 °C to +125 °C
 Seal Test 85 °C Fluorinert†

Mechanical Characteristics

Positions 2
 Adjustment Torque5 N-cm max.
 Stop Strength 1.8 N-cm min.

Environmental Characteristics

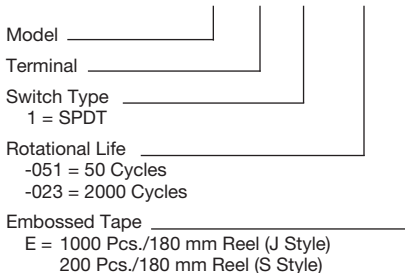
Shock 20 G
 0.1 ms max. discontinuity
 Vibration 100 G
 0.1 ms max. discontinuity
 Thermal Shock (5 cycles)
 -55 °C to +125 °C

Humidity
 Insulation Resistance
 10 megohms min.
 Rotational Life
 -051 50 Cycles
 -023 2000 Cycles
 Max. Soldering Heat 245 °C,
 5 seconds

Standard Packaging
 J 1,000 pcs./reel
 S 200 pcs./reel

How to Order

7813 J - 1 - 051 E



Features

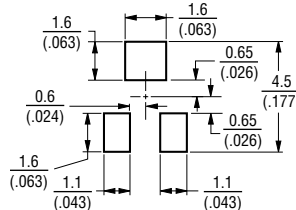
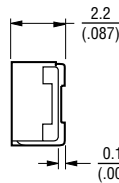
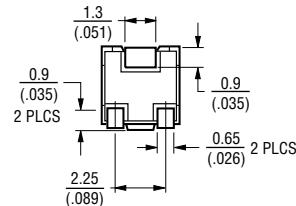
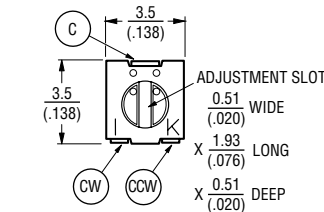
- Single pole/double throw
- Compatible with most surface mount manufacturing processes
- 50 or 2000 cycle rotational life
- Tape and reel packaged
- Withstands 245 ° soldering heat

■ RoHS compliant*

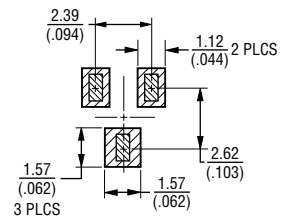
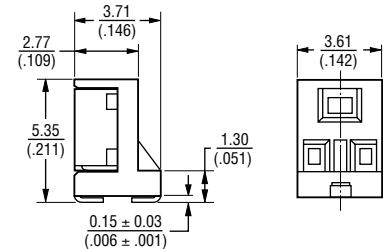
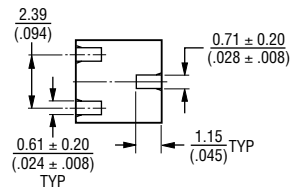
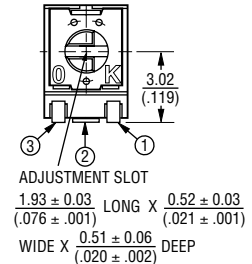
7813 SMD 3 mm Square Sealed Rotary Switch

Product Dimensions

7813J



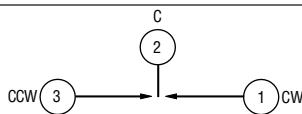
7813S



RECOMMENDED LAND PATTERN

DIMENSIONS ARE: $\frac{\text{MM}}{\text{(INCHES)}}$

TOLERANCES: ±.2 EXCEPT WHERE NOTED.



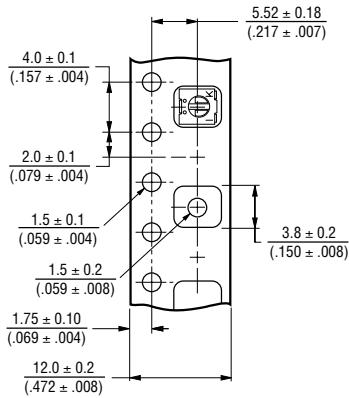
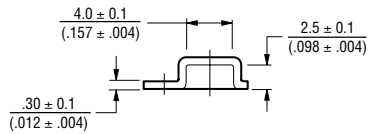
*RoHS Directive 2002/95/EC Jan 27 2003 including Annex.
 †"Fluorinert" is a registered trademark of 3M Co.
 Specifications are subject to change without notice.
 Customers should verify actual device performance in their specific applications.

7813 SMD 3 mm Square Sealed Rotary Switch

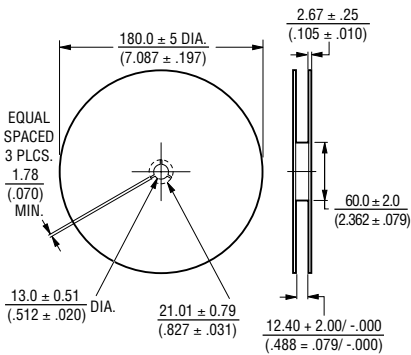
BOURNS®

Packaging Specifications

7813J



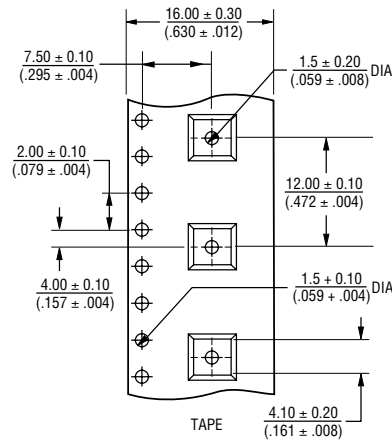
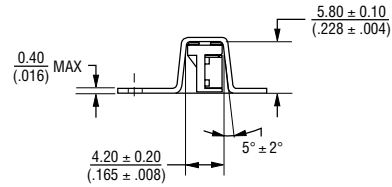
TAPE



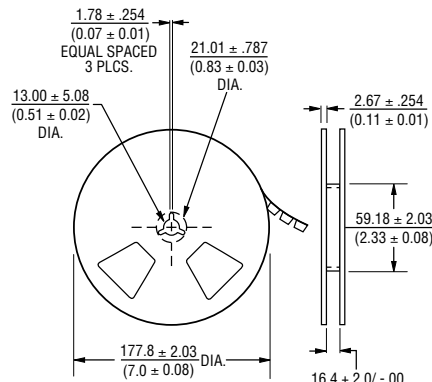
REEL

Meets EIA 481

7813S



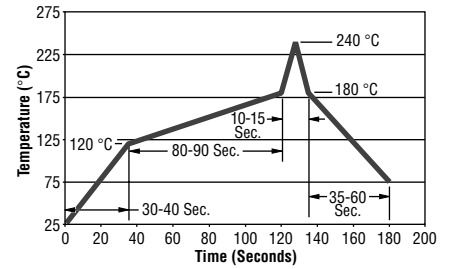
TAPE



REEL

Meets EIA 481

Reflow Soldering Profile



REV. 09/04

Specifications are subject to change without notice. Customers should verify actual device performance in their specific applications.