

Magnetic Alarm Reed Switch

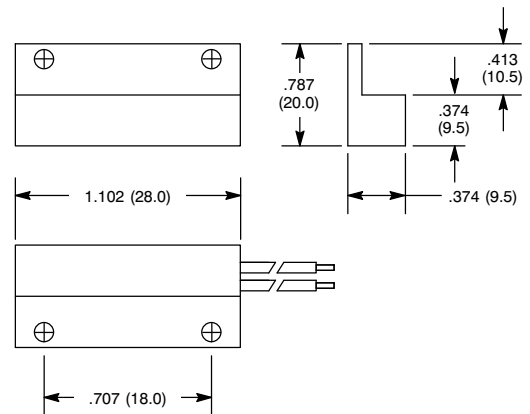
Features

- Mini Stick-On Surface Mount Contact with Side Leads
- 18" Long Side Wire Leads
- Adhesive & Screw Mounting
- Operate Gap 3/4" (19mm) min.



NTE Type No.	Circuitry	Action	Actuator	Diag No.
54-632	SPST-NO	NO for Closed Loop System	Magnet	S103

S103



Specifications

Contact Rating: 10W/VA
Contact Resistance: 150 milliohms.
Contact Material: Ruthenium Oxide over Palladium
Switching Voltage: 200 VDC max.
Switching Current: 500mA max.
Insulation Resistance: 10 gigohms
Shock Resistance: 30G for 11mS
Vibration Resistance: 20G (10 to 1000Hz)
Life Expectancy: 20,000,000 cycles (resistive load, 12VDC, 250mA)
Operating Gap: .748" (19mm) min.
Terminal Type: Wire Leads
Mounting Hole: .250" (6.35mm)

Magnetic Roller Ball Switch

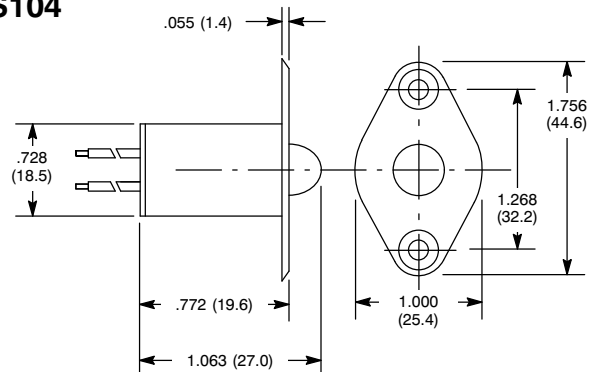
Features

- 3/8" Dia with 18" Long Wire Leads
- Flange for Reliable Retention
- Suitable For Sliding as well as Swing Doors



NTE Type No.	Circuitry	Action	Actuator	Diag No.
54-633	SPST-NO	NO for Closed Loop System	Magnet	S104

S104



Specifications

Contact Rating: 10W/VA
Contact Resistance: 150 milliohms.
Contact Material: Ruthenium Oxide over Palladium
Switching Voltage: 200 VDC max.
Switching Current: 500mA max.
Insulation Resistance: 10 gigohms
Shock Resistance: 30G for 11mS
Vibration Resistance: 20G (10 to 1000Hz)
Life Expectancy: 20,000,000 cycles (resistive load, 12VDC, 250mA)
Terminal Type: Wire Leads
Mounting Hole: .375" (9mm)